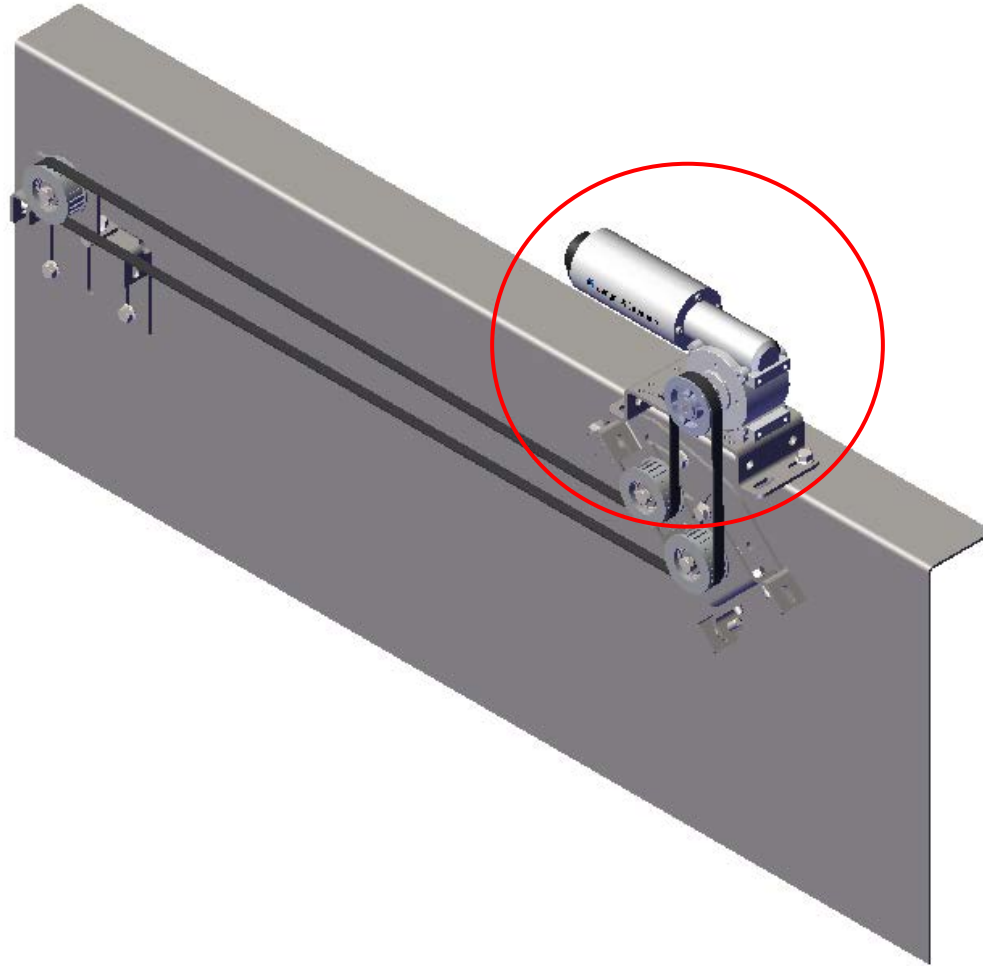


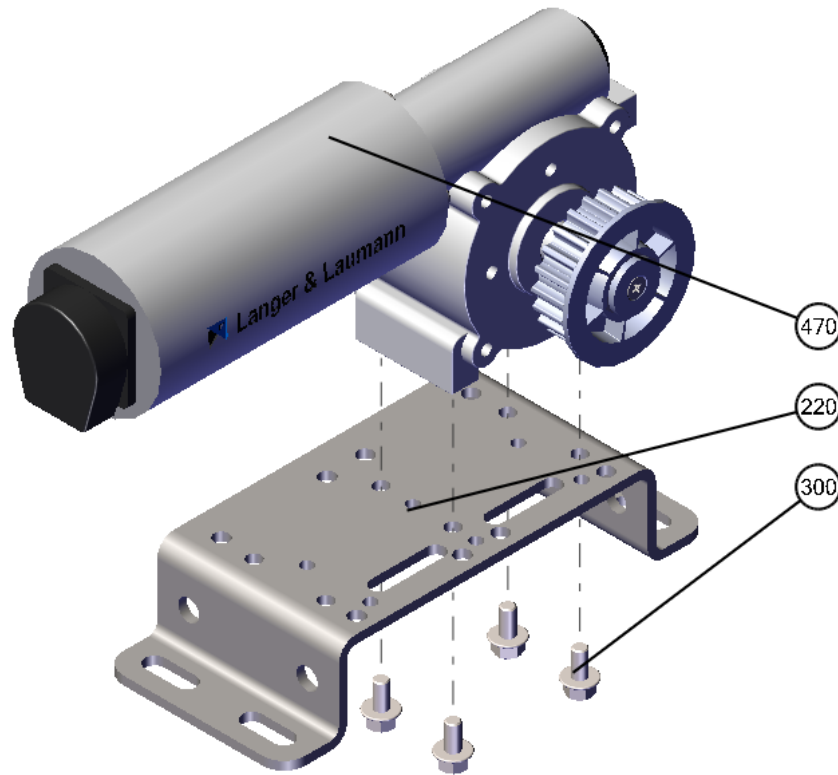
Montageanleitung **Assembly instructions**

Umbau Selcom RCF1 ZT auf TSG V4 **Conversion Selcom RCF1 CT to TSG V4**

Step 1 TSG montieren – assemble TSG drive

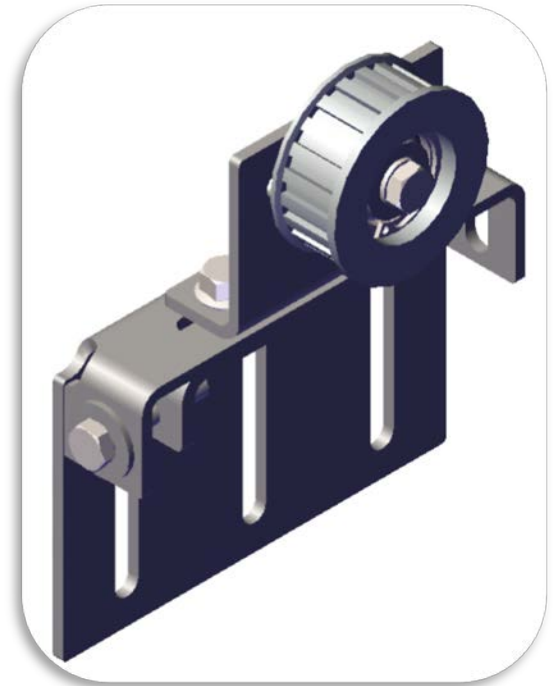
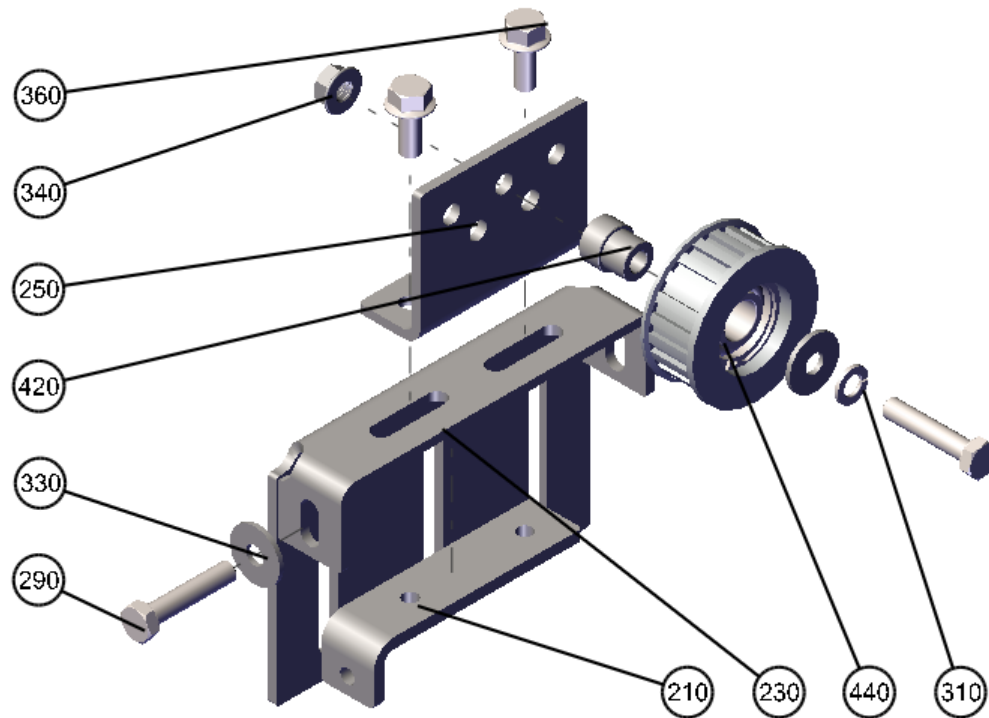


Step 1a



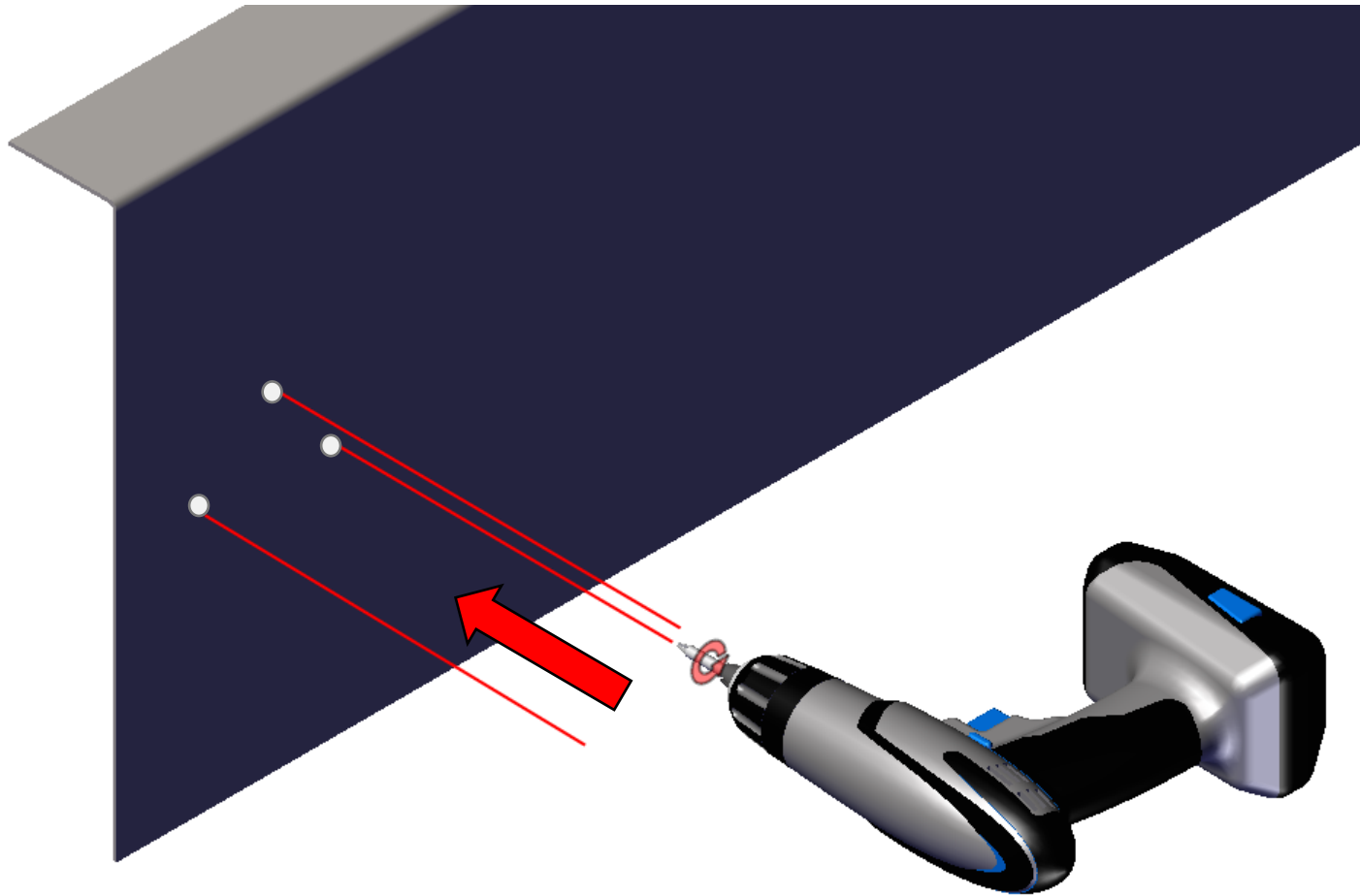
ID	Article No.	Description DE	Description EN	Quantity
220	01.20.60060	Kombiwinkel Hut	TSG universal bracket, version "hat"	1
300	01.36.00135	Sperrzahnschraube DIN 6921 M6x12, 8.8, vz	Hexagon head serrated screw WN0274 A2C 8.8 - M6x12	4
470	08.20.40000	TSG 400 Motor L Typ K	TSG 400 Motor Large Typ K	1

Step 2

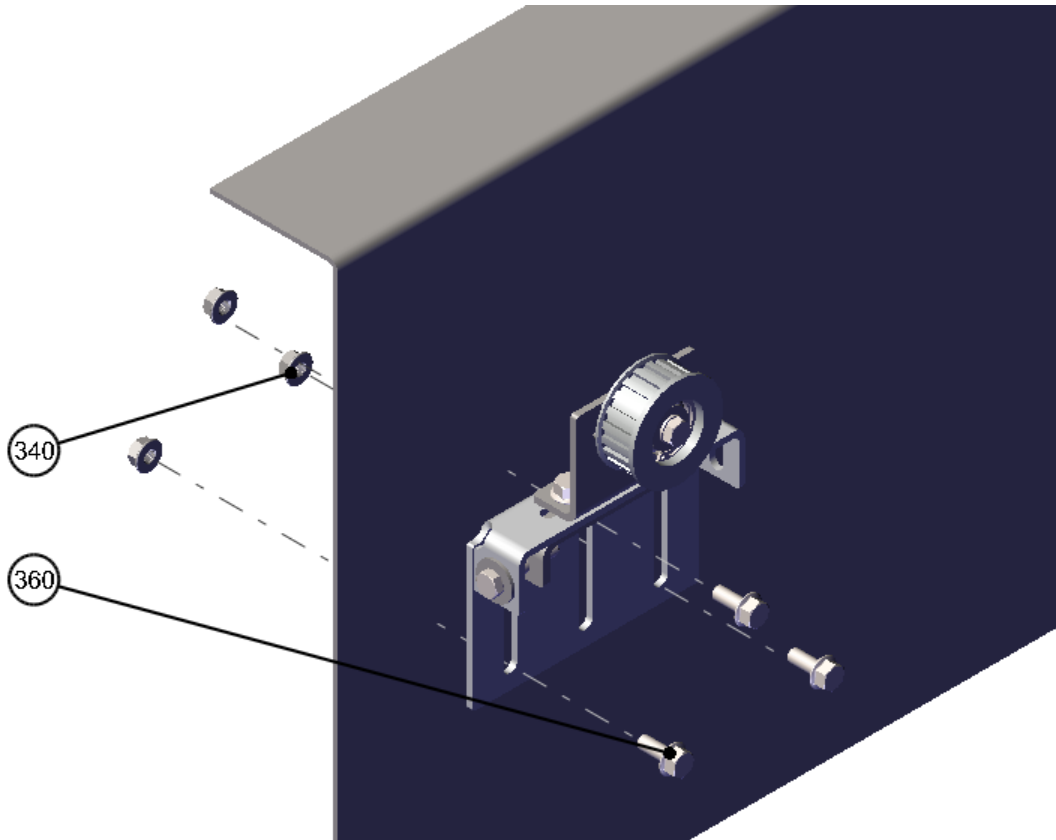


ID	Article No.	Description DE	Description EN	Quantity
210	01.20.60110	Spannlasche für Spannstation	TSG bracket for counter roller	1
230	01.20.60070	Winkel für Spannstation schmale Ausführung	TSG universal bracket counter side, slim design (35mm)	1
250	01.20.60013	Halterung Umlenkrolle für Spannstation	TSG bracket for counter roller	1
290	01.36.00115	Sechskantschraube ISO 4017 - M8x40 - 8.8, vz	Hexagonal bolt, thread up to head DIN933 vz 8.8 - M8x40	2
310	01.36.00169	Federring DIN127-A3-FSt	Lock washer DIN127 vz - M8	1
330	01.36.00450	Kotflügelscheibe 8,4x24x2	Wing repair washer DIN522 vz - 8,4x20x1,25	2
340	01.36.00501	Sperrzahnmutter M8, DIN 6923, vz	Serrated locking nut, similar to DIN6923 vz - M8	1
360	01.36.00720	Sperrzahnschraube DIN 6921 M8x20, 8.8, vz	Hexagon head serrated screw WN0274 A2C 8.8 - M8x20	2
420		Reduzierhülse für Spannrolle	Adapter sleeve for tension roller	1
440		Spannrolle	Tension roller	1

Step 3a



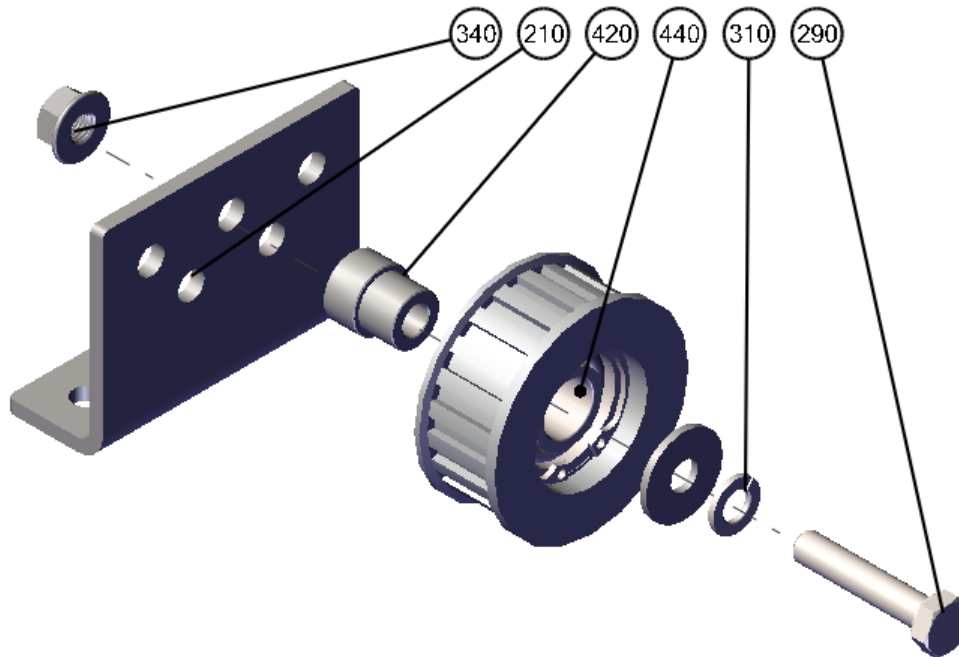
Step 3b



ID	Article No.	Description DE	Description EN	Quantity
340	01.36.00501	Sperrzahnmutter M8, DIN 6923, vz	Serrated locking nut, similar to DIN6923 vz - M8	3
360	01.36.00720	Sperrzahnschraube DIN 6921 M8x20, 8.8, vz	Hexagon head serrated screw WN0274 A2C 8.8 - M8x20	3

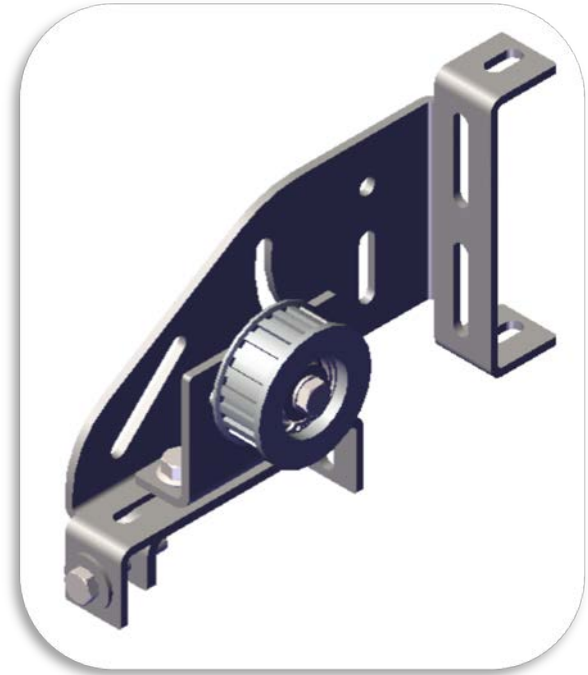
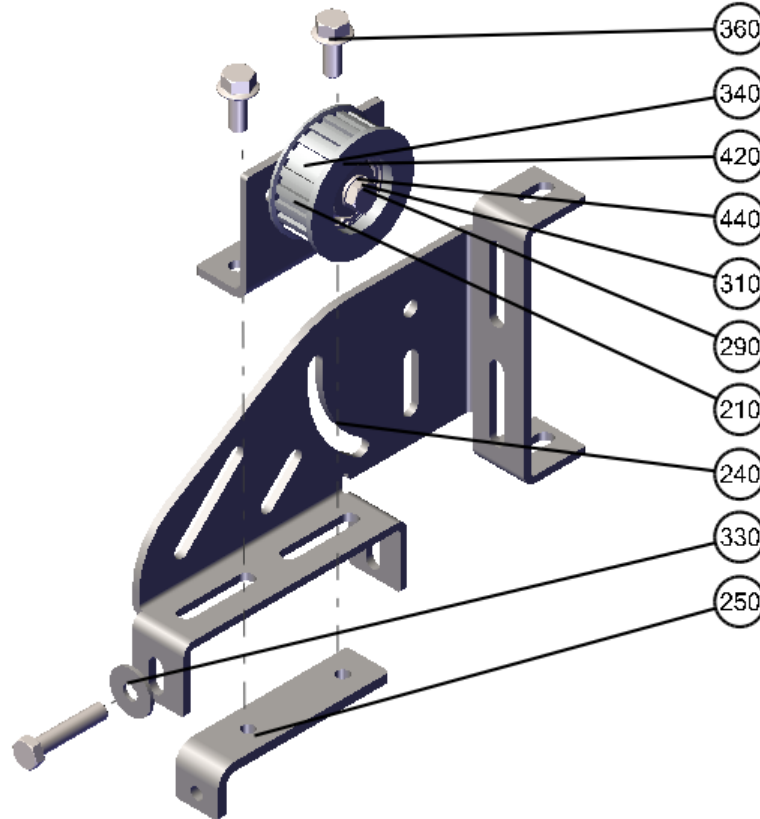
Step 4a

2x



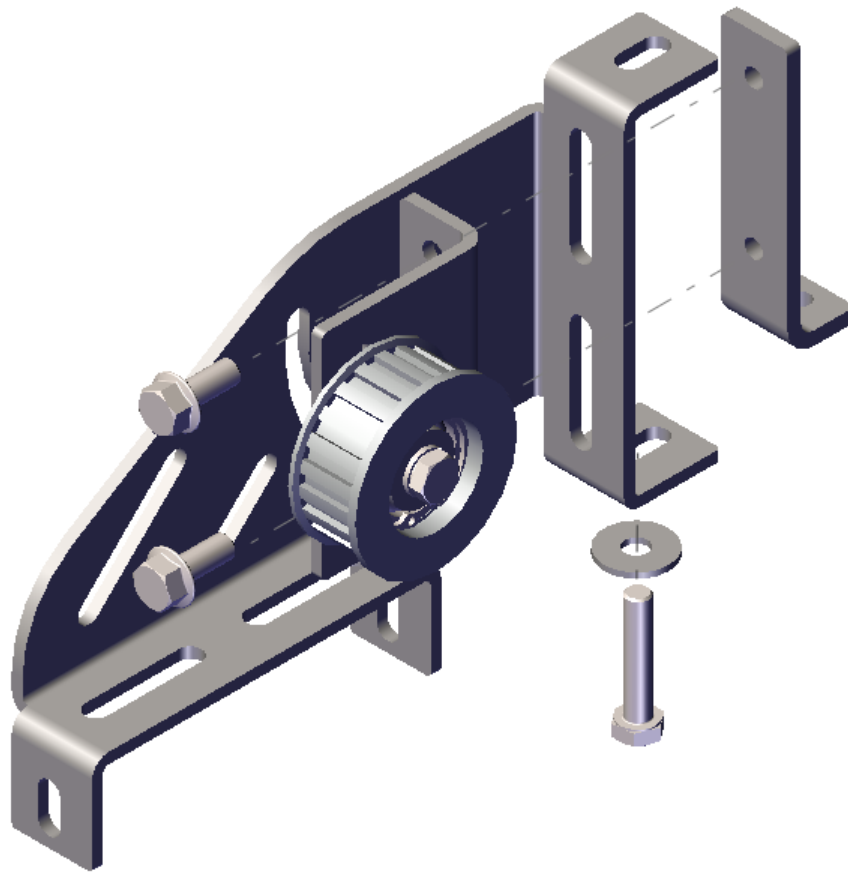
ID	Article No.	Description DE	Description EN	Quantity
210	01.20.60013	Halterung Umlenckrolle für Spannstation	TSG bracket for counter roller	1
290	01.36.00115	Sechskantschraube ISO 4017 - M8x40 - 8.8, vz	Hexagonal bolt, thread up to head DIN933 vz 8.8 - M8x40	1
310	01.36.00169	Federring DIN127-A8-FSL	Lock washer DIN127 vz - M8	1
340	01.36.00501	Sperrzahnmutter M8, DIN 6923, vz	Serrated locking nut, similar to DIN6923 vz - M8	1
420		Reduzierhülse für Spannrolle	Adapter sleeve for tension roller	1
440		Spannrolle	Tension roller	1

Step 4b

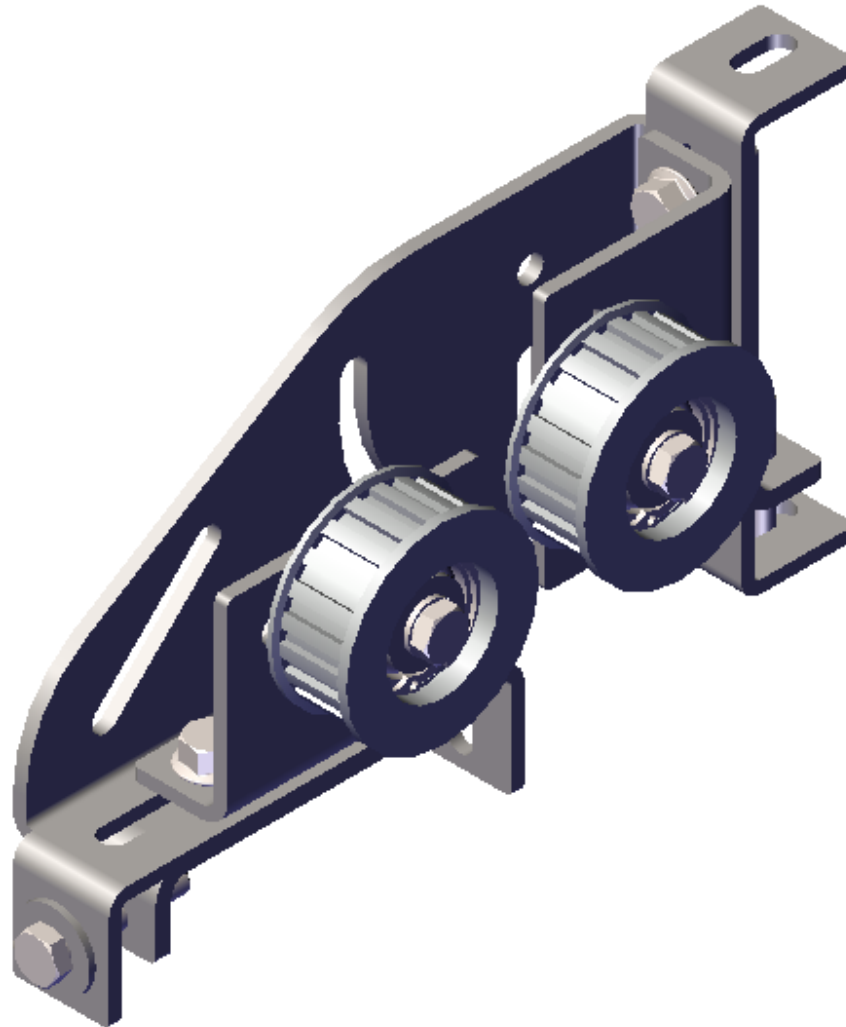


ID	Article No.	Description DE	Description EN	Quantity
210	01.20.60013	Halterung Umlenkrolle für Spannstation	TSG bracket for counter roller	1
240	01.20.60071	Winkel für 2x Spannstation, schmale Ausführung	Elbow for 2x clamping station, thin version	1
250	01.20.60110	Spannlasche für Spannstation	Clamping tab for clamping station, normal execution	1
290	01.36.00115	Sechskantschraube ISO 4017 - M8x40 - 8.8, vz	Hexagonal bolt, thread up to head DIN933 vz 8.8 - M8x40	2
310	01.36.00169	Federring DIN127-A8-FSt	Lock washer DIN127 vz - M8	1
330	01.36.00450	Kotflügelscheibe 8,4x24x2	Wing repair washer DIN522 vz - 8,4x20x1,25	2
340	01.36.00501	Sperrzahnmutter M8, DIN 6923, vz	Serrated locking nut, similar to DIN6923 vz - M8	1
360	01.36.00720	Sperrzahnschraube DIN 6921 M8x20, 8.8, vz	Hexagon head serrated screw WN0274 A2C 8.8 - M8x20	2
420		Reduzierhülse für Spannrolle	Adapter sleeve for tension roller	1
440		Spannrolle	Tension roller	1

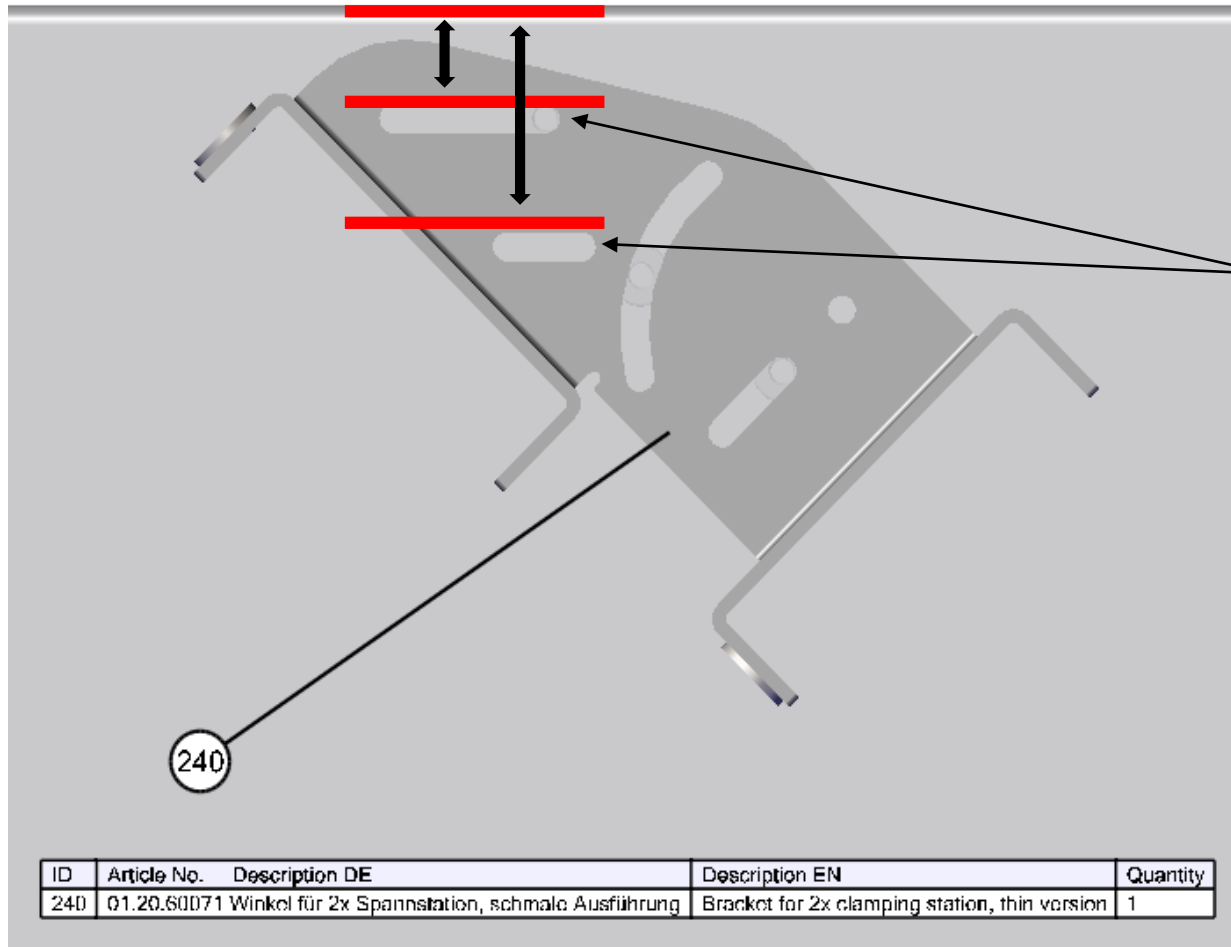
Step 4c



Step 4d

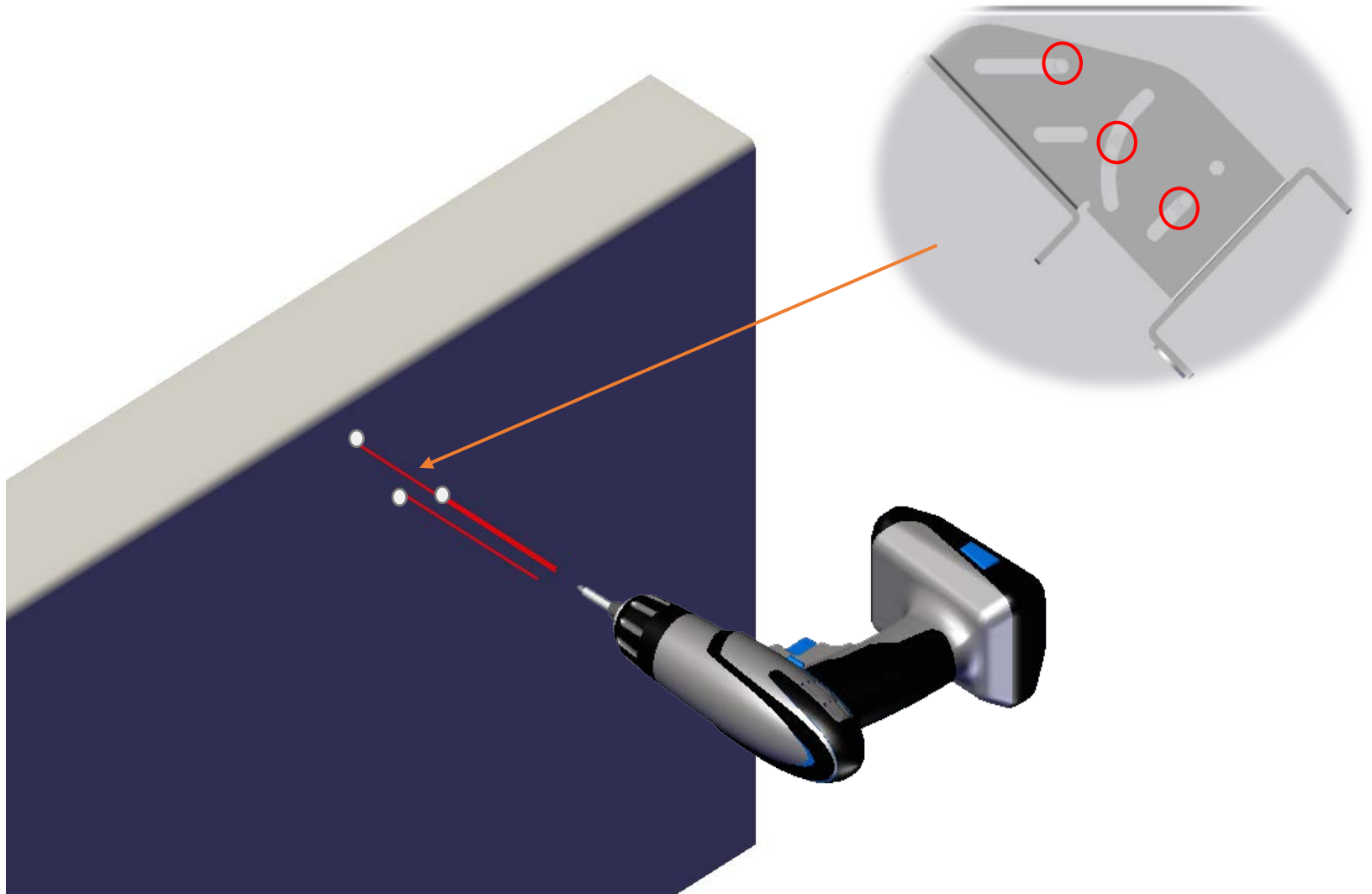


Step 4e

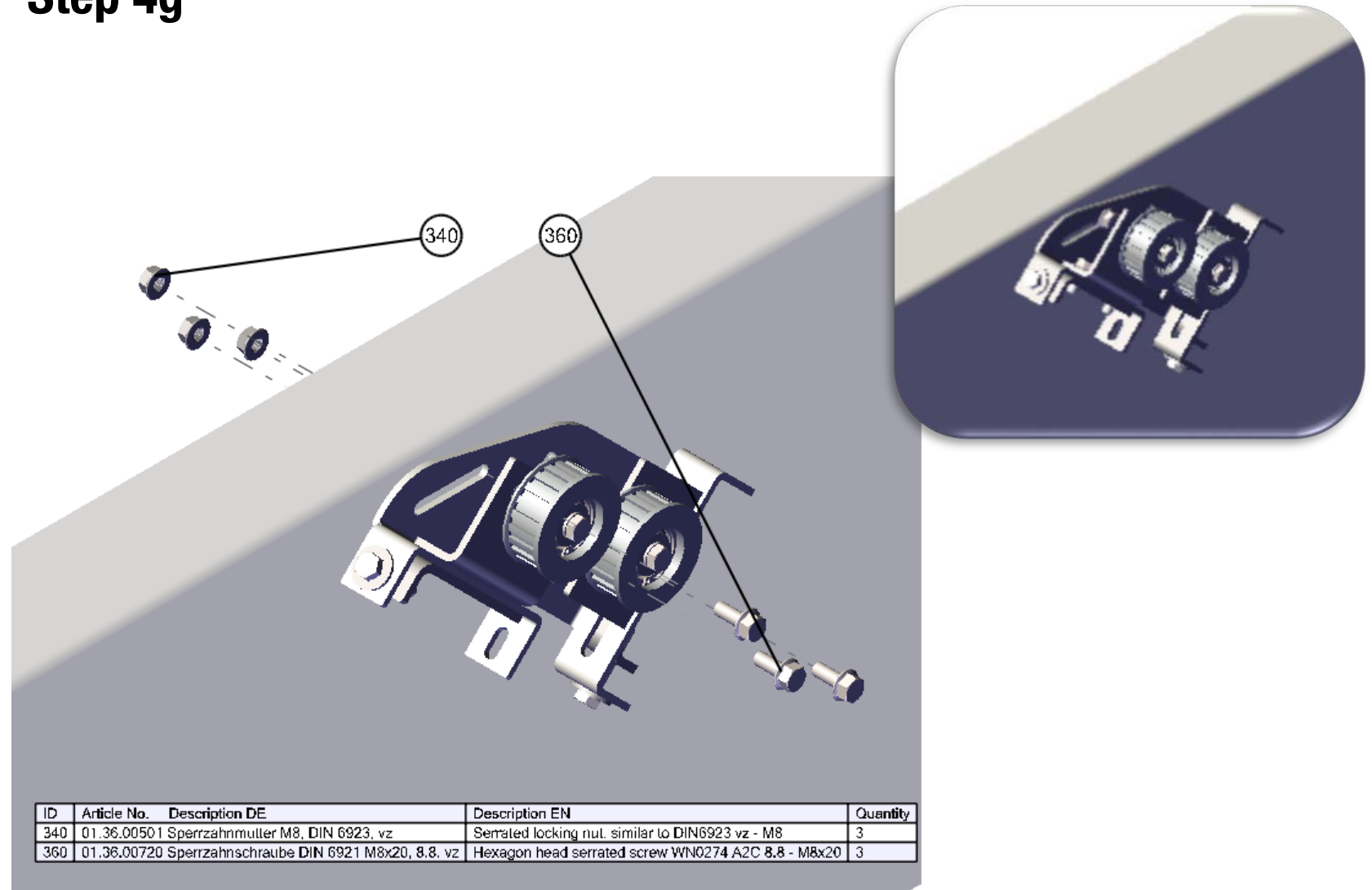


Langlöcher
waagrecht zum
Kämpfer ausrichten
und Bohrungen
markieren
level elongated holes
horizontally to frame
and mark drill holes

Step 4f

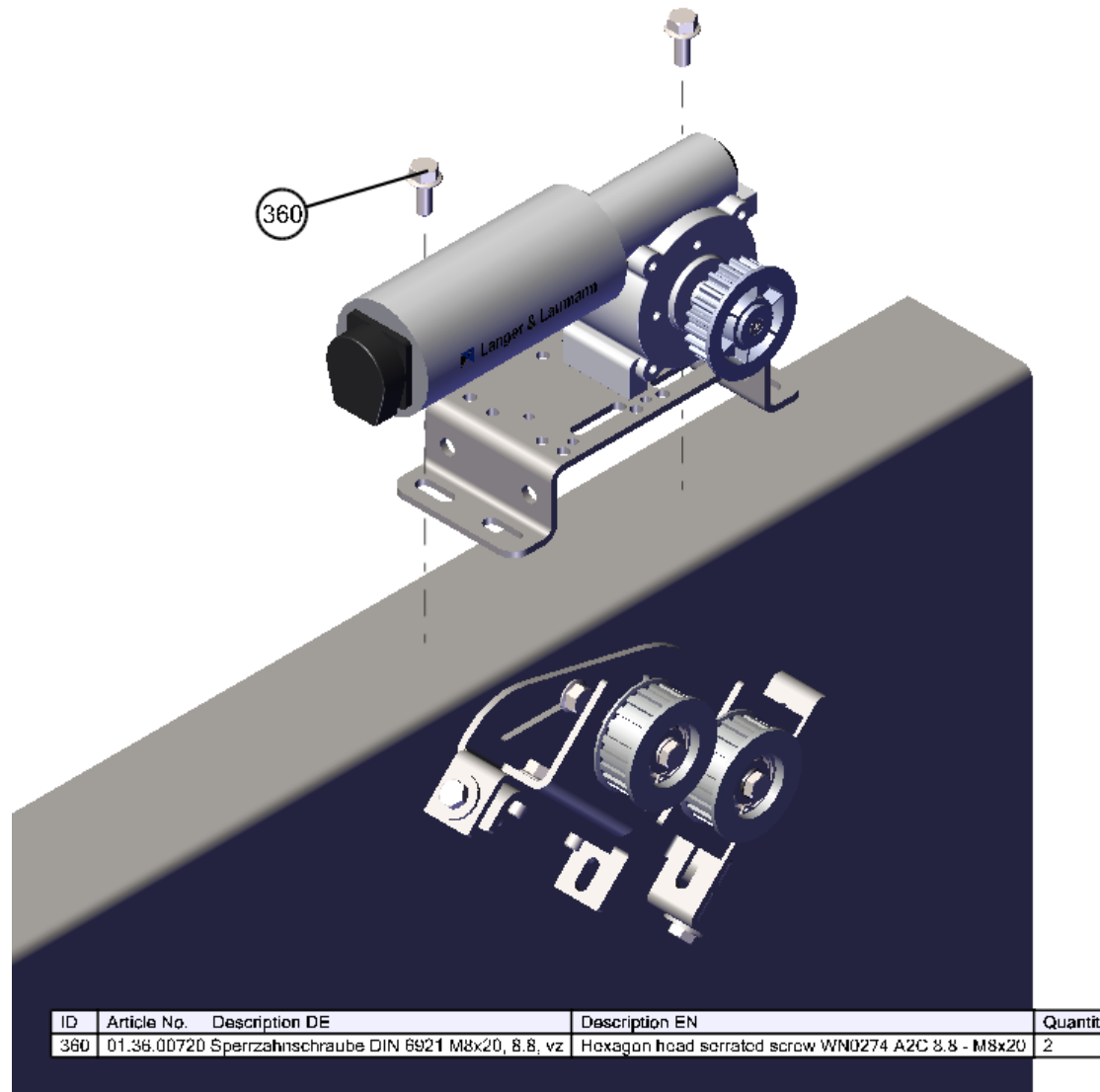


Step 4g

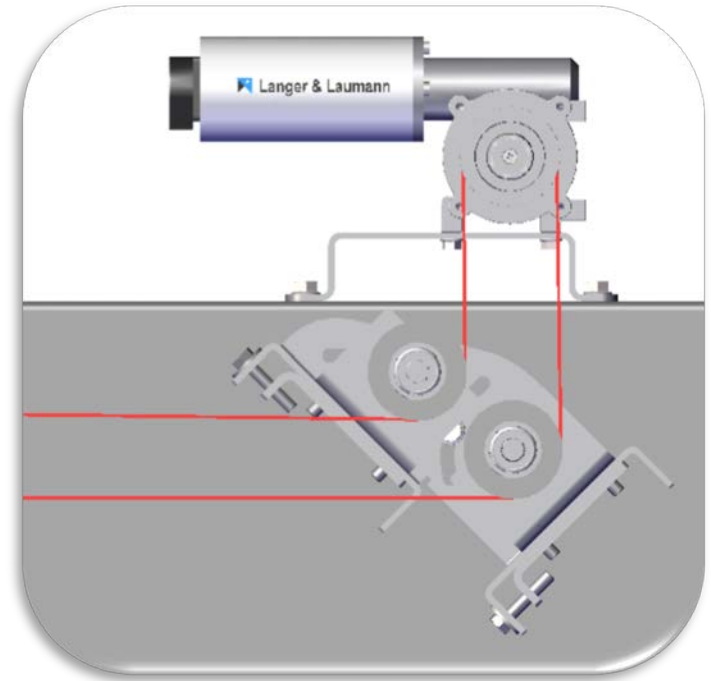
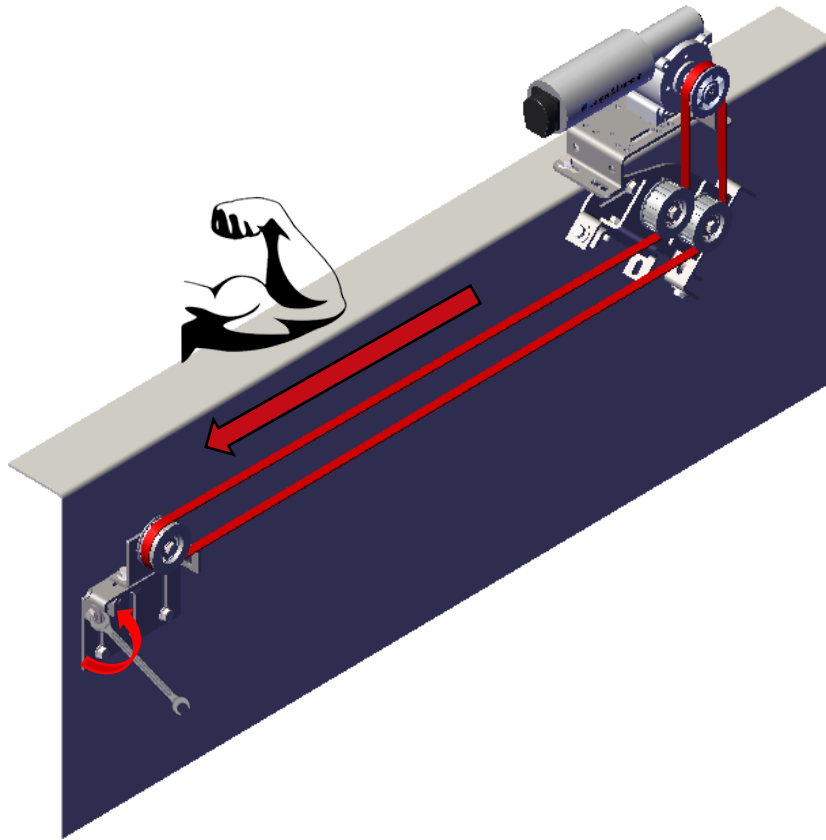


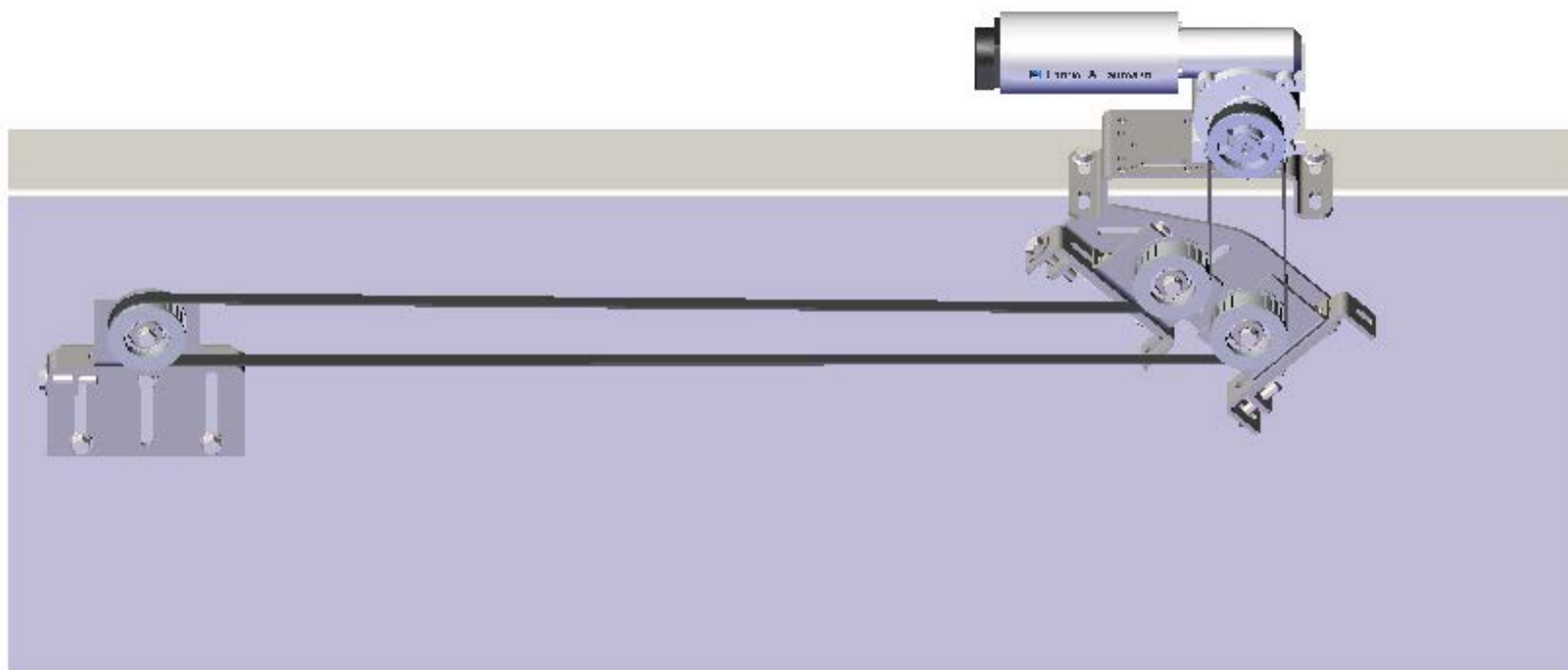
ID	Article No.	Description DE	Description EN	Quantity
340	01.36.00501	Sperrzahnmutter M8, DIN 6923, vz	Serrated locking nut, similar to DIN6923 vz - M8	3
360	01.36.00720	Sperrzahnschraube DIN 6921 M8x20, 8.8, vz	Hexagon head serrated screw WN0274 A2C 8.8 - M8x20	3

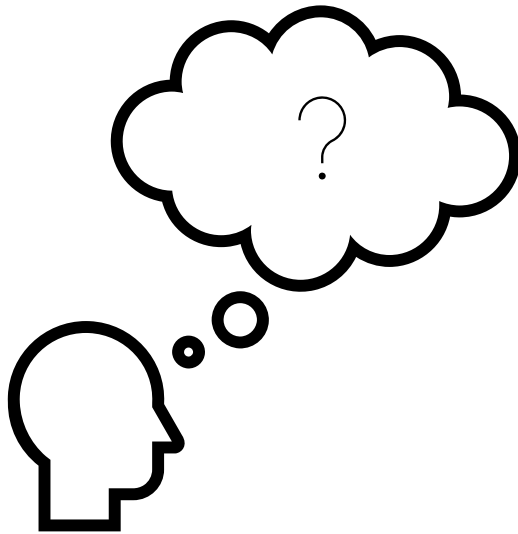
Step 5



Step 6 Zahnriemen spannen – **fasten timing belt**







Langer & Laumann Ingenieurbüro GmbH
Wilmsberger Weg 8
48565 Steinfurt
Germany

Tel.: +49 (2552) 92791 0

support@lul-ing.de
www.lul-ing.de