

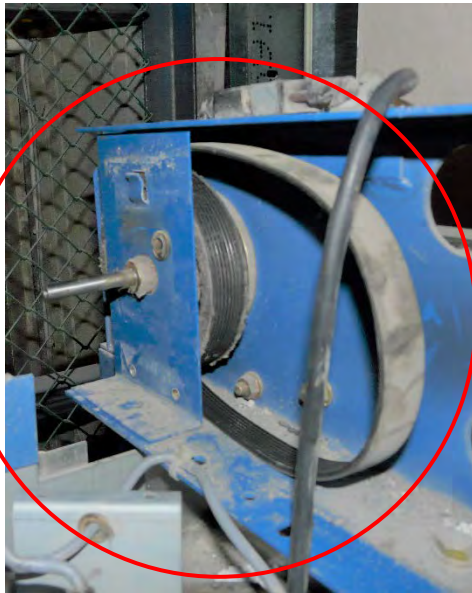
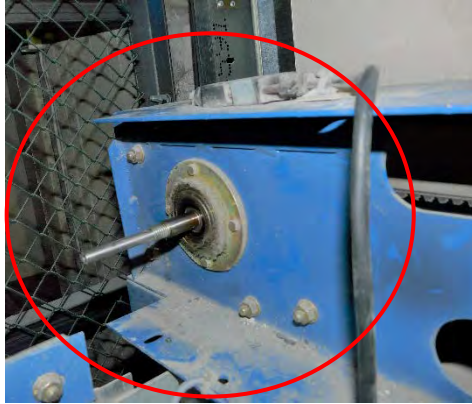
# **Umbauanleitung** **assembly instruction**

## **OTIS DO2000**

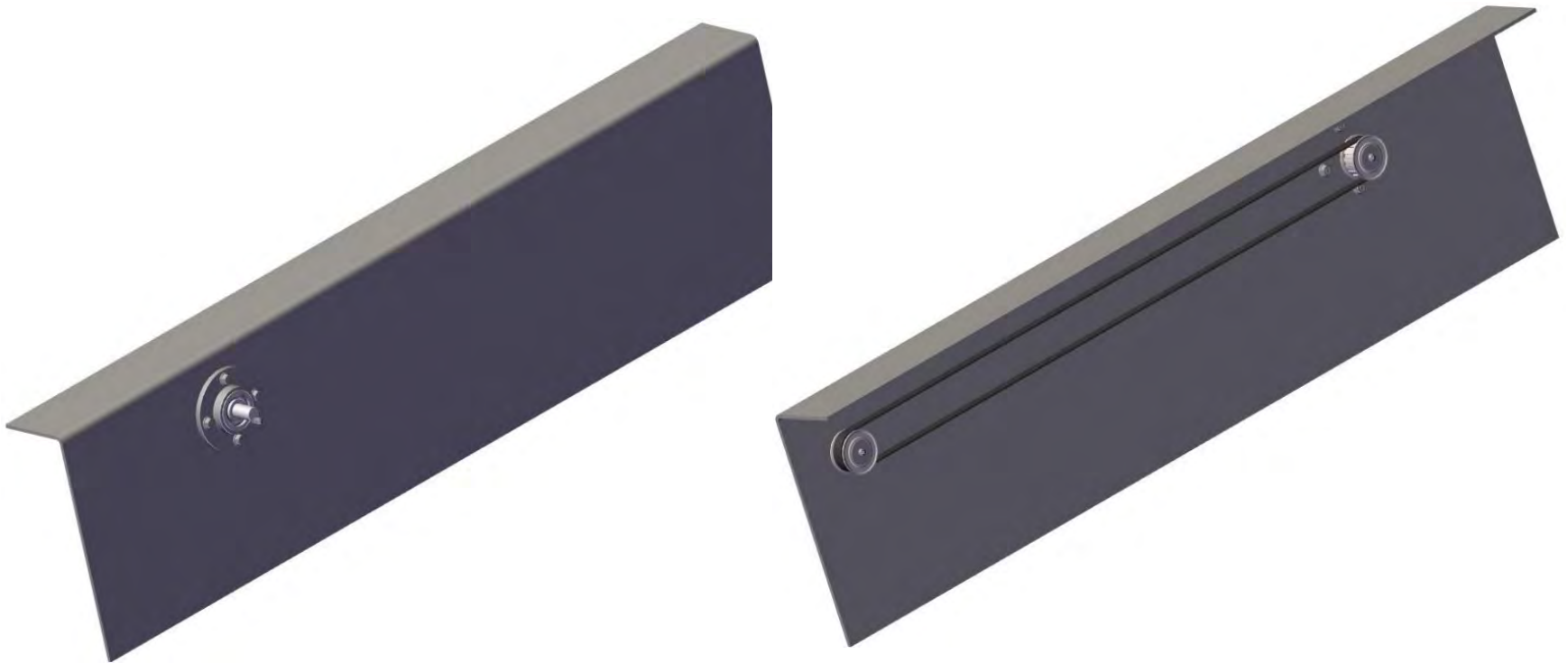
## Version teleskopierend links – version telescoping left

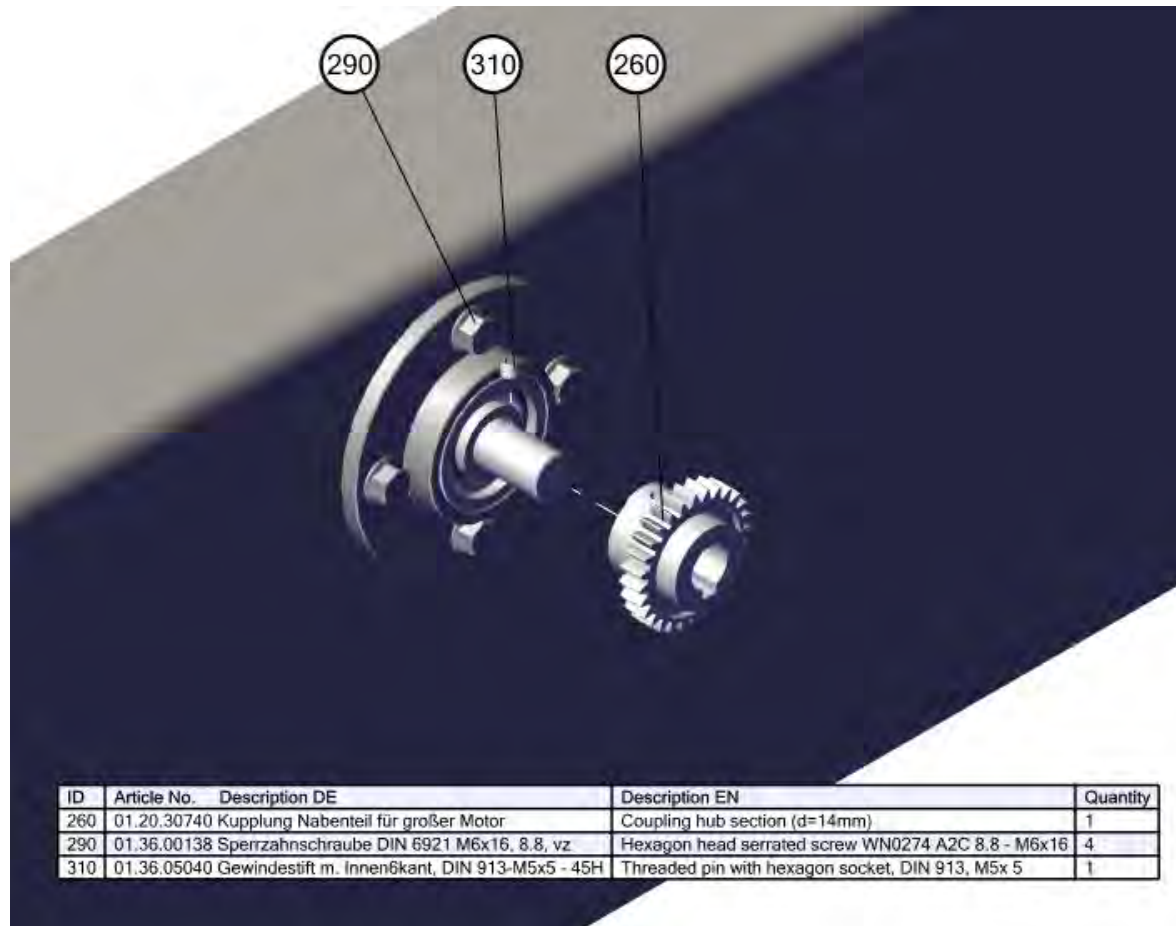


## Vor Umbau entfernen - remove before conversion

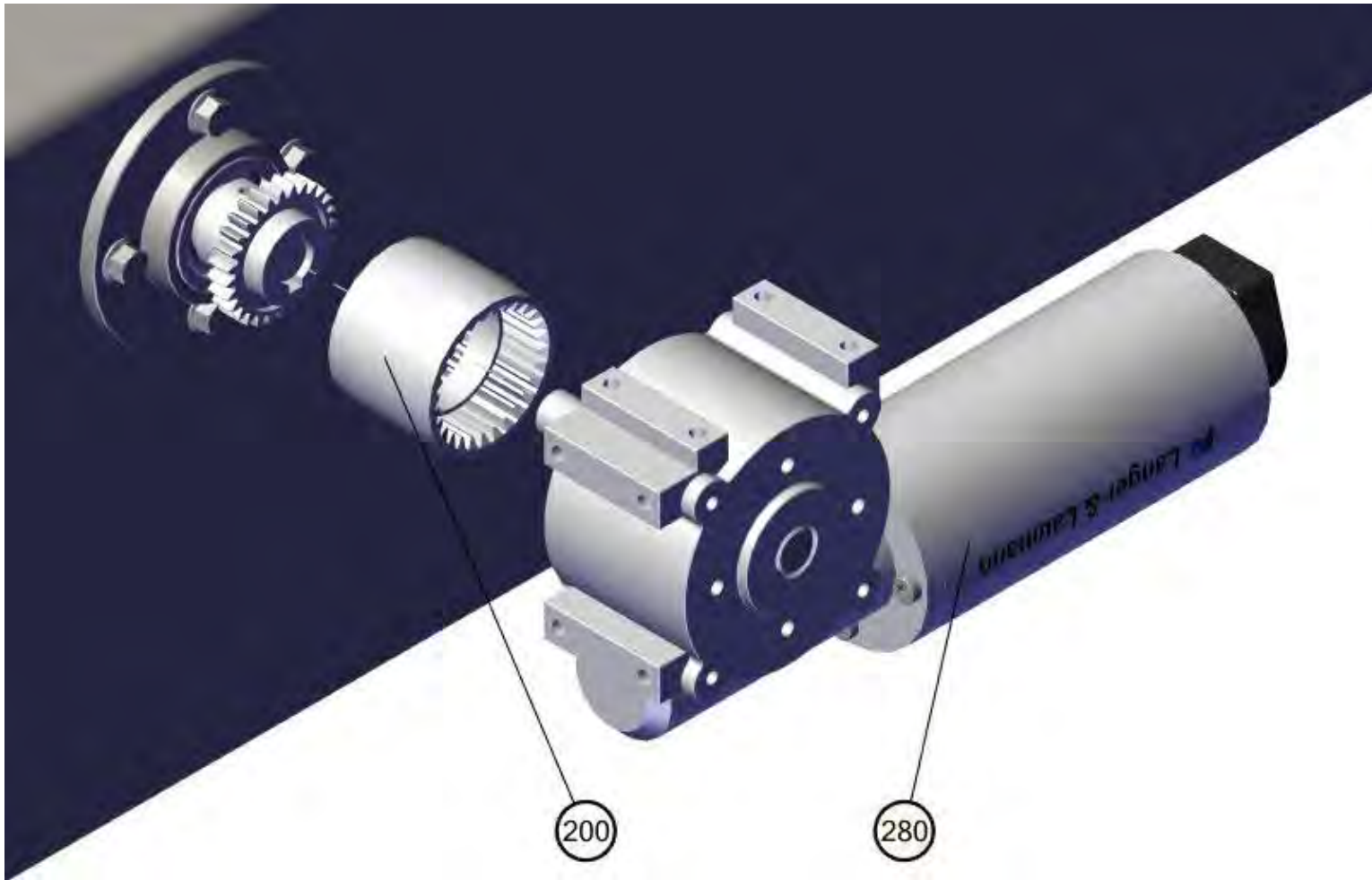


## Nach Demontage – **after dismantling**

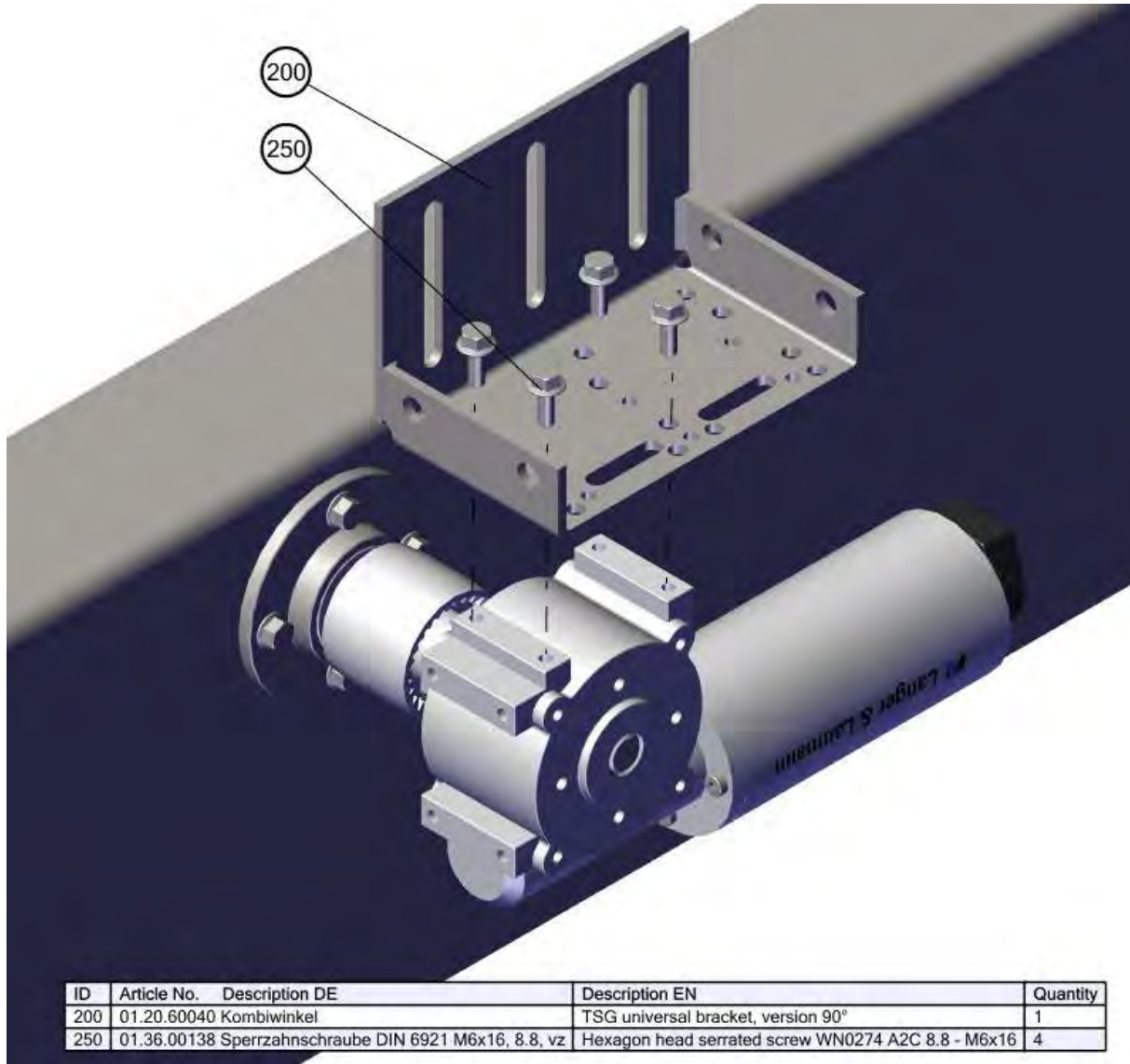




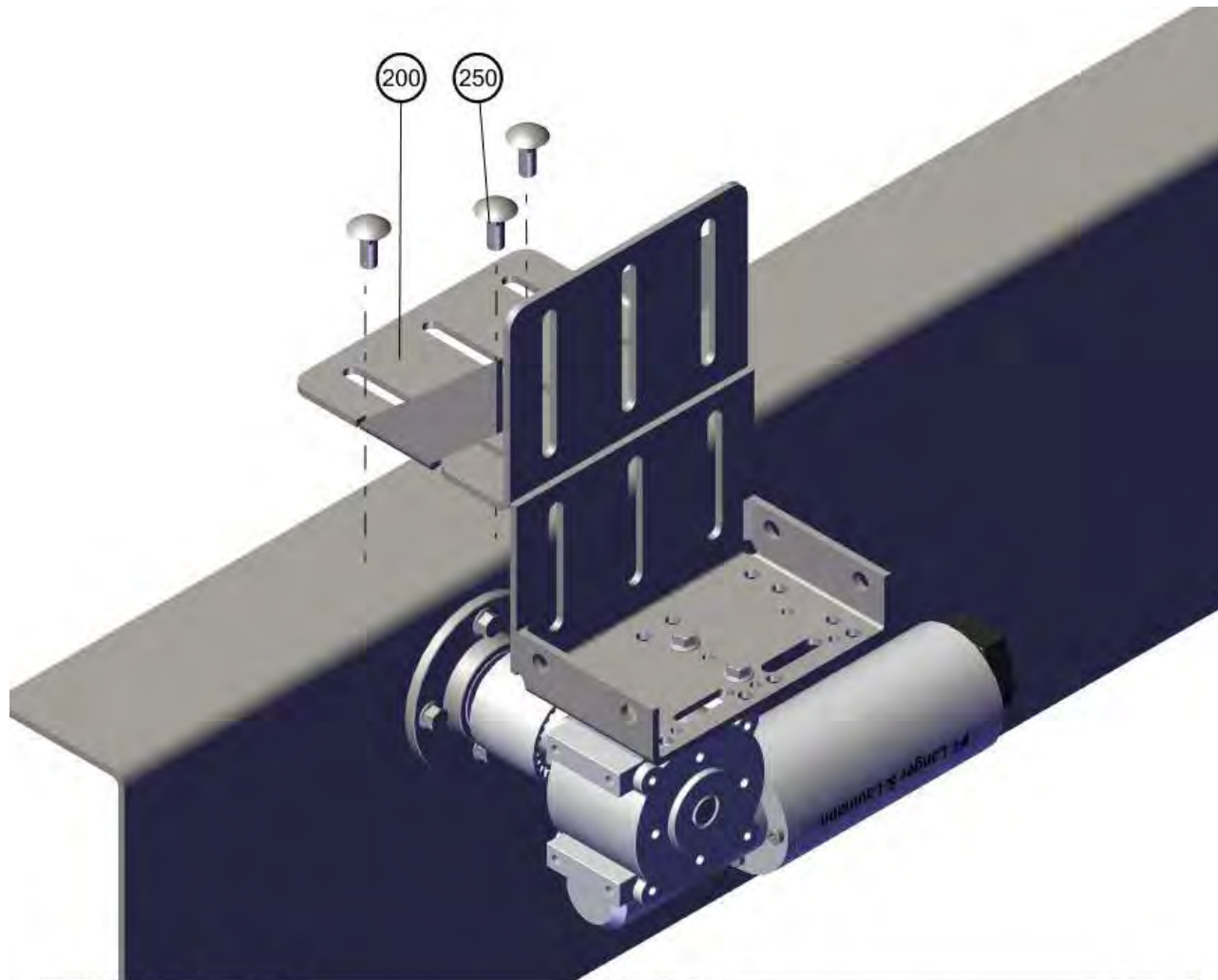
| ID  | Article No. | Description DE                                 | Description EN                                     | Quantity |
|-----|-------------|--|--|----------|
| 260 | 01.20.30740 | Kupplung Nabenteil für großer Motor            | Coupling hub section (d=14mm)                      | 1        |
| 290 | 01.36.00138 | Sperrzahnschraube DIN 6921 M6x16, 8.8, vz      | Hexagon head serrated screw WN0274 A2C 8.8 - M6x16 | 4        |
| 310 | 01.36.05040 | Gewindestift m. Innen6kant, DIN 913-M5x5 - 45H | Threaded pin with hexagon socket, DIN 913, M5x 5   | 1        |



| ID  | Article No.    | Description DE                                 | Description EN                                     | Quantity |
|-----|----------------|--|--|----------|
| 200 | 01.20.30730    | Kupplung Taschenteil zw. Welle und Antrieb     | Coupling pocket section                            | 1        |
| 280 | 09.33.10130.04 | TSG V4 400 Lift Türantrieb für Otis DO2000, TL | TSG V4 400 Lift Door Operator for Otis DO 2000, TL | 1        |

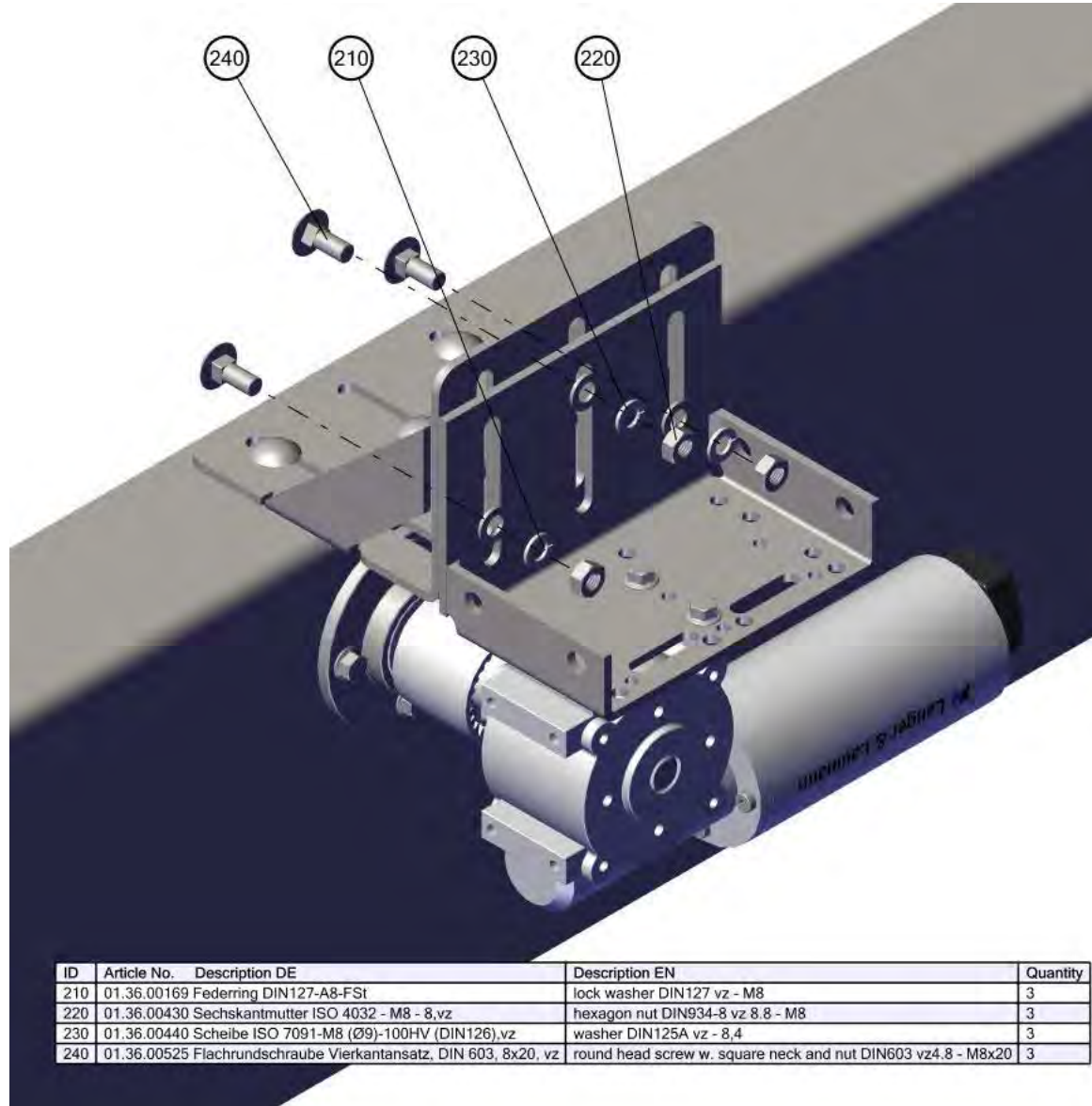


| ID  | Article No. | Description DE                            | Description EN                                     | Quantity |
|-----|-------------|---|--|----------|
| 200 | 01.20.60040 | Kombiwinkel                               | TSG universal bracket, version 90°                 | 1        |
| 250 | 01.36.00138 | Sperrzahnschraube DIN 6921 M6x16, 8.8, vz | Hexagon head serrated screw WN0274 A2C 8.8 - M6x16 | 4        |

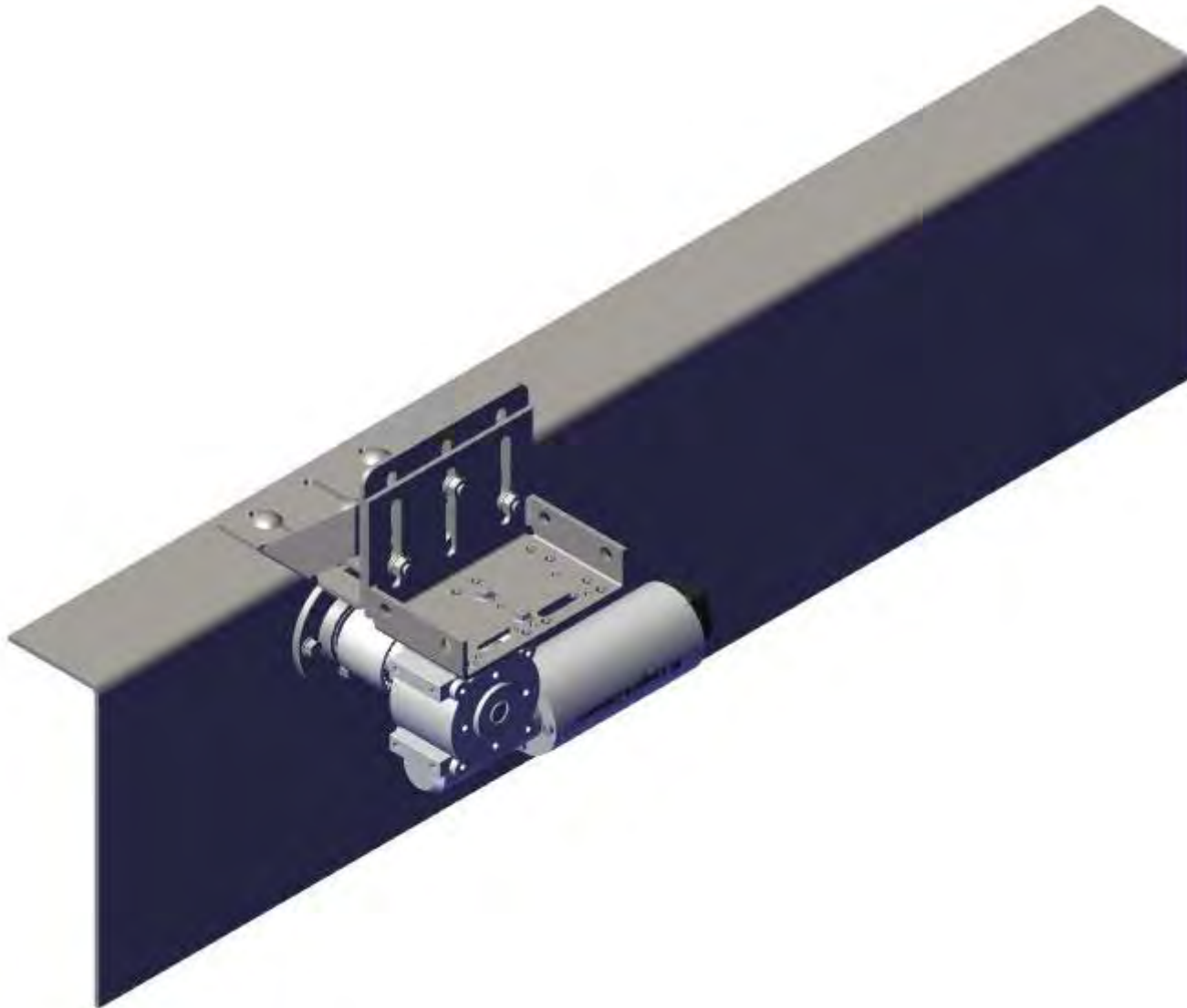


| ID  | Article No. | Description DE                                    | Description EN   | Quantity |
|-----|-------------|---|--|----------|
| 200 | 01.20.60044 | rechtwinkliger Haltewinkel für Kombiwinkel        | Rectangle bracket for TSG universal bracket                  | 1        |
| 250 | 01.36.00525 | Flachrundsraube Vierkantansatz, DIN 603, 8x20, vz | Round head screw w. square neck and nut DIN603 vz4.8 - M8x20 | 3        |

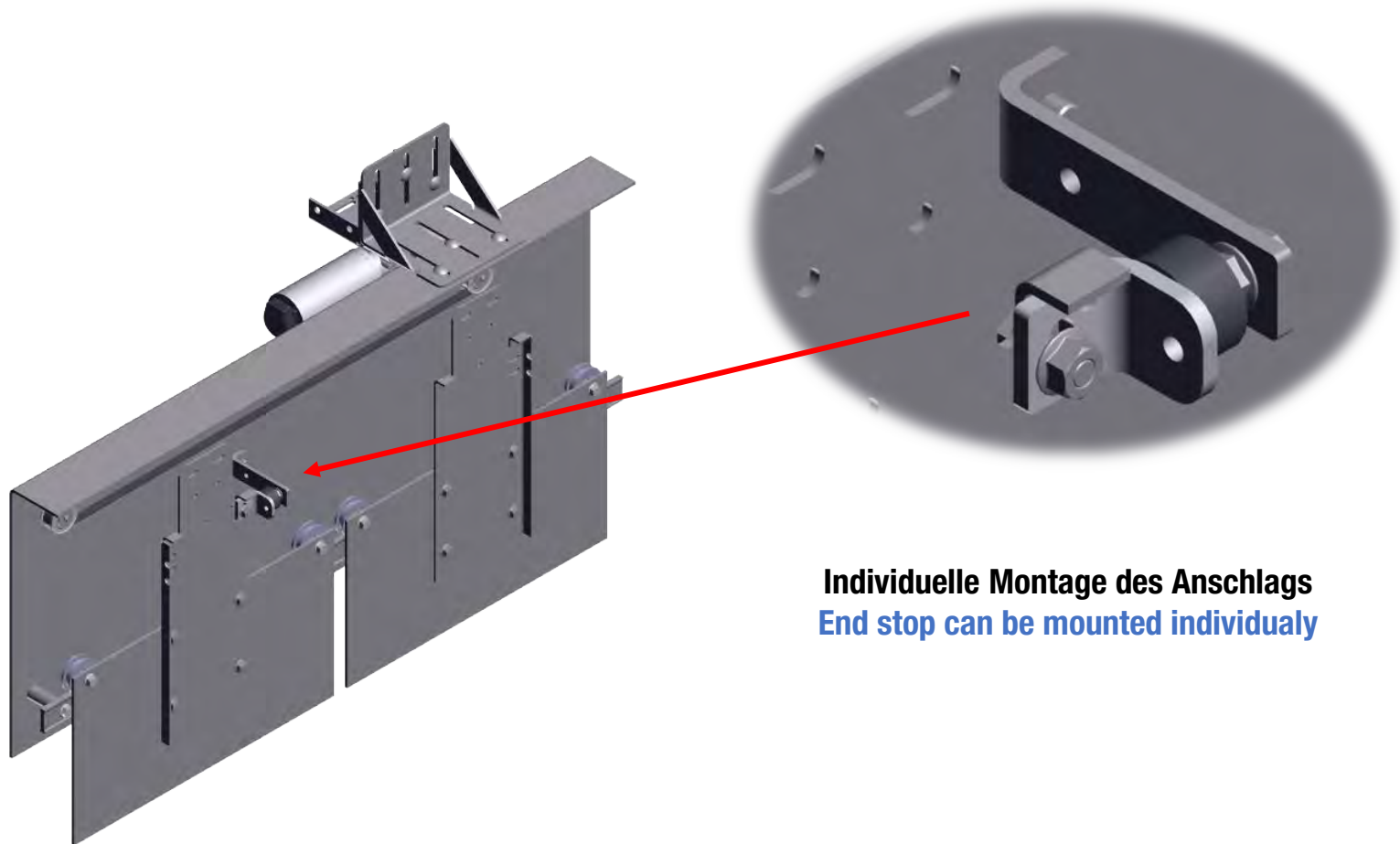




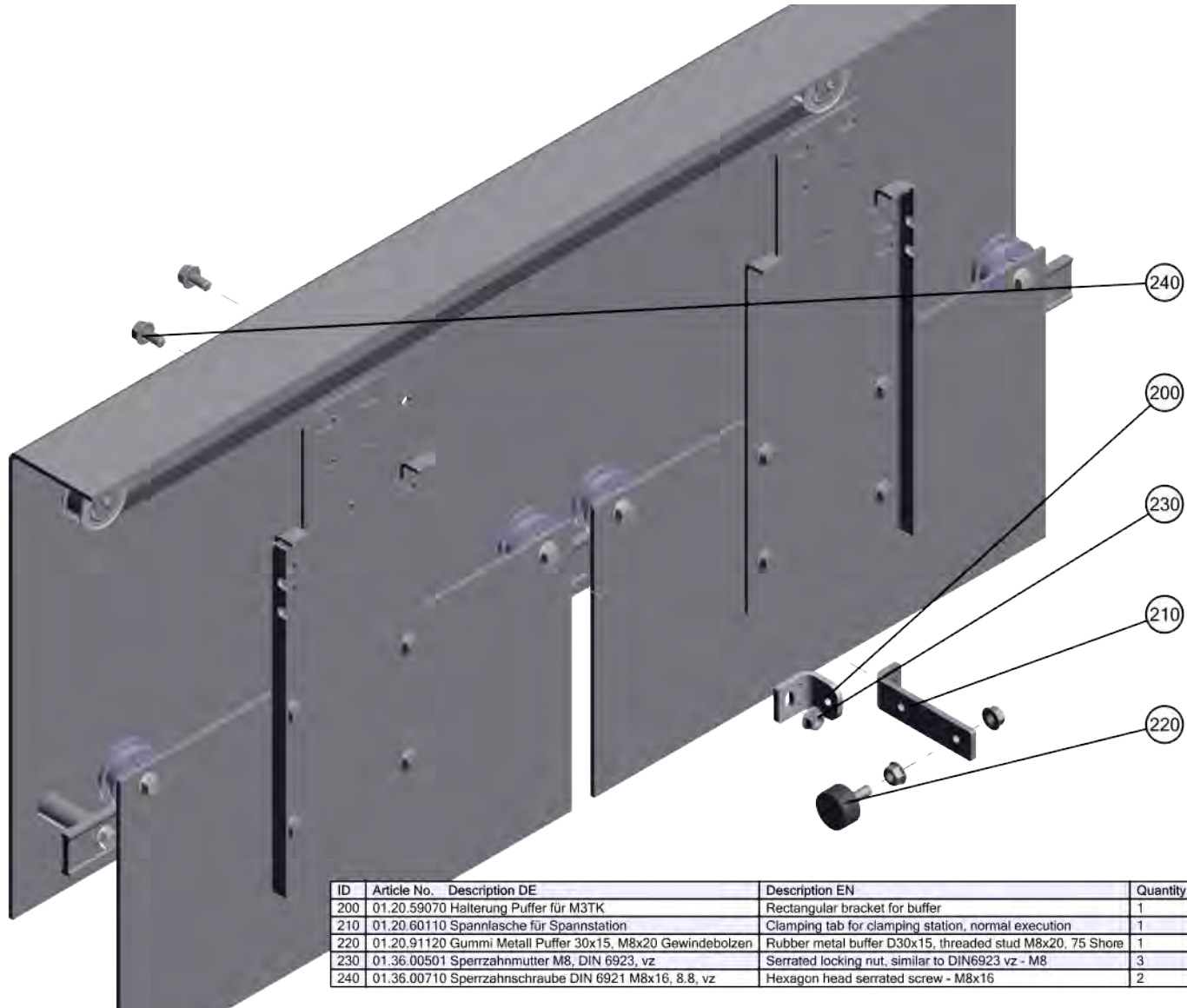
| ID  | Article No. | Description DE                                      | Description EN   | Quantity |
|-----|-------------|---|--|----------|
| 210 | 01.36.00169 | Federring DIN127-A8-FSt                             | lock washer DIN127 vz - M8                                   | 3        |
| 220 | 01.36.00430 | Sechskantmutter ISO 4032 - M8 - 8,vz                | hexagon nut DIN934-8 vz 8.8 - M8                             | 3        |
| 230 | 01.36.00440 | Scheibe ISO 7091-M8 (Ø9)-100HV (DIN126),vz          | washer DIN125A vz - 8,4                                      | 3        |
| 240 | 01.36.00525 | Flachrundschraube Vierkantansatz, DIN 603, 8x20, vz | round head screw w. square neck and nut DIN603 vz4.8 - M8x20 | 3        |



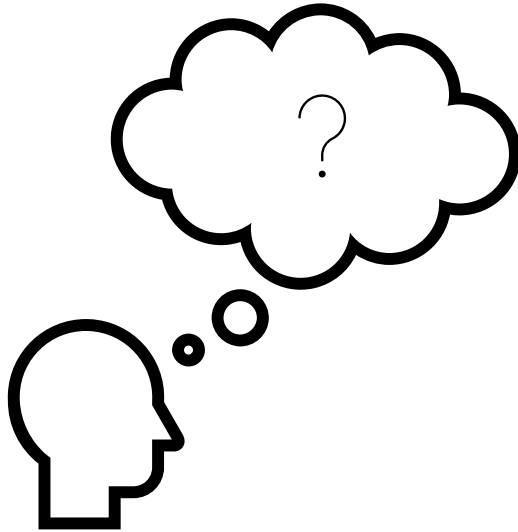
**Version mit Endanschlag für zentralöffnende Tür**  
**Version with end stop for central opening doors**



**Individuelle Montage des Anschlags**  
**End stop can be mounted individually**



| ID  | Article No. | Description DE                                 | Description EN  | Quantity |
|-----|-------------|--|---|----------|
| 200 | 01.20.59070 | Halterung Puffer für M3TK                      | Rectangular bracket for buffer                            | 1        |
| 210 | 01.20.60110 | Spanntasche für Spannstation                   | Clamping tab for clamping station, normal execution       | 1        |
| 220 | 01.20.91120 | Gummi Metall Puffer 30x15, M8x20 Gewindebolzen | Rubber metal buffer D30x15, threaded stud M8x20, 75 Shore | 1        |
| 230 | 01.36.00501 | Sperrzahnmutter M8, DIN 6923, vz               | Serrated locking nut, similar to DIN6923 vz - M8          | 3        |
| 240 | 01.36.00710 | Sperrzahnschraube DIN 6921 M8x16, 8.8, vz      | Hexagon head serrated screw - M8x16                       | 2        |



**Langer & Laumann Ingenieurbüro GmbH**  
Wilmsberger Weg 8  
48565 Steinfurt  
Germany

Tel.: +49 (2552) 92791 0

[support@lul-ing.de](mailto:support@lul-ing.de)  
[www.lul-ing.de](http://www.lul-ing.de)