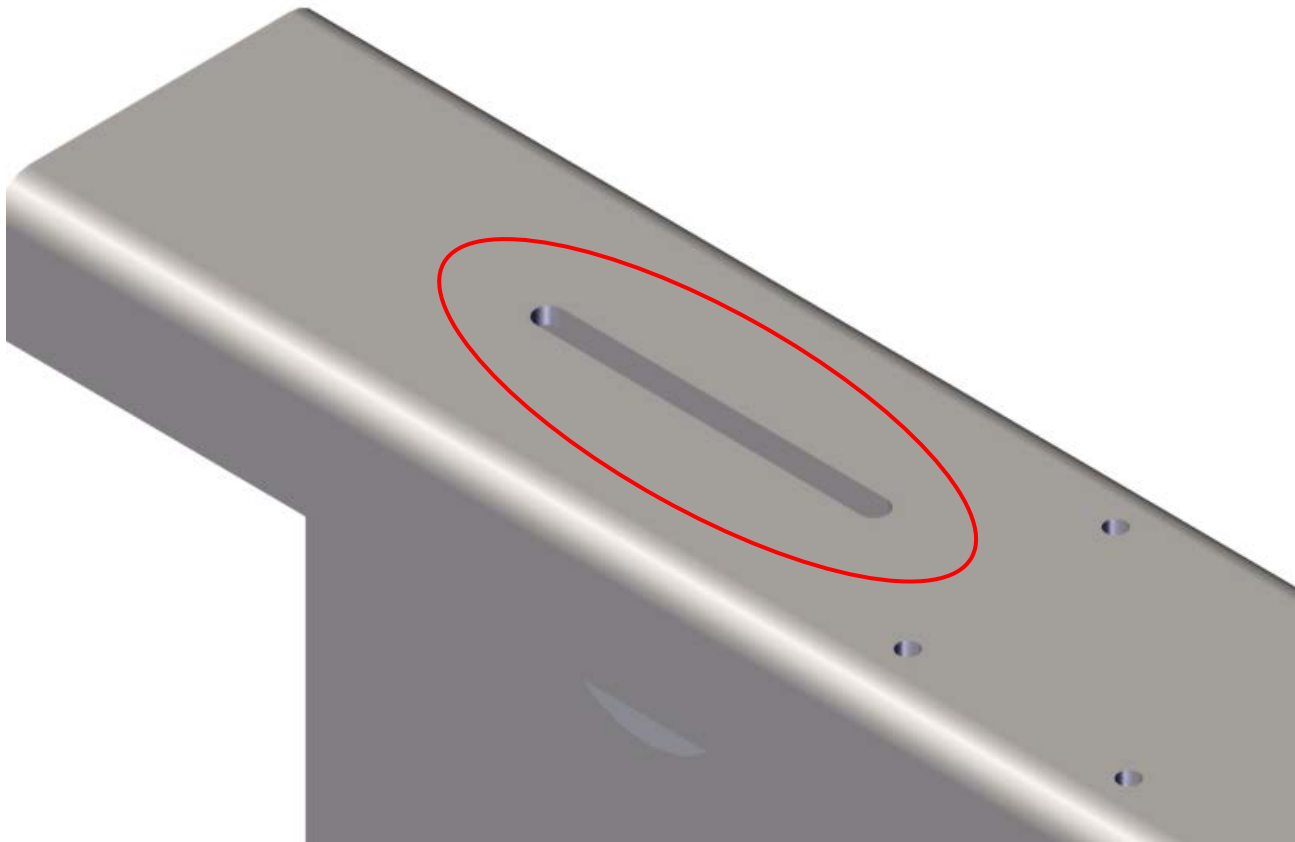
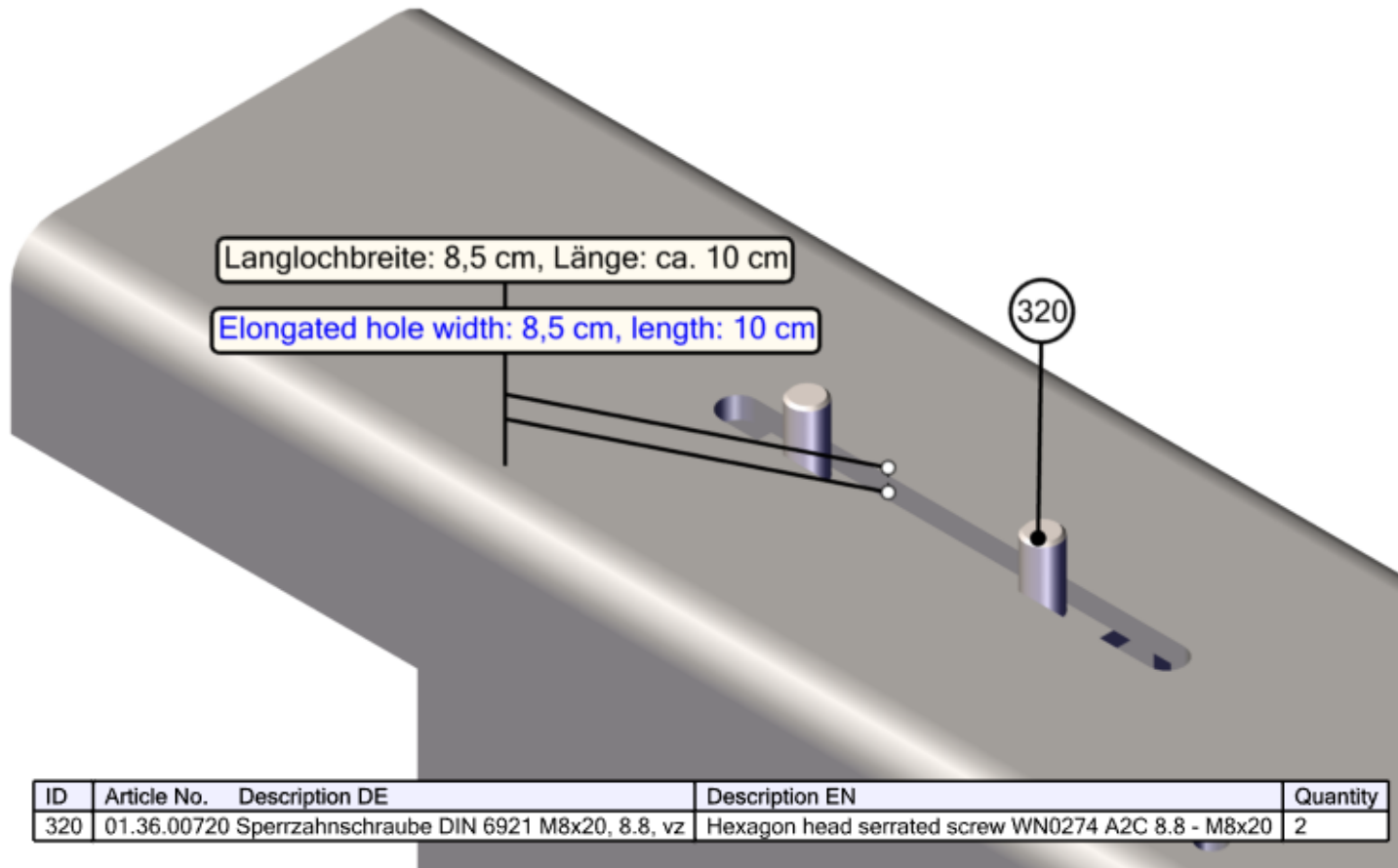


Montageanleitung **Assembly Instruction**

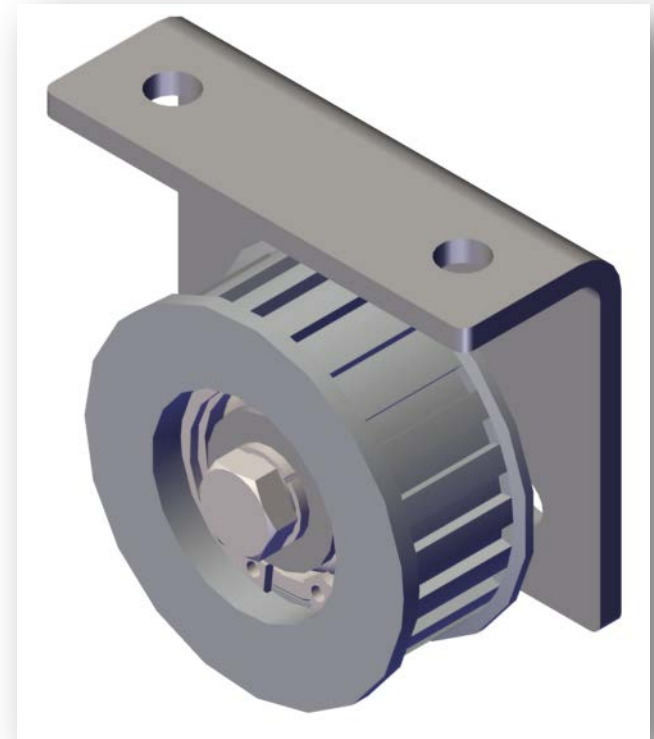
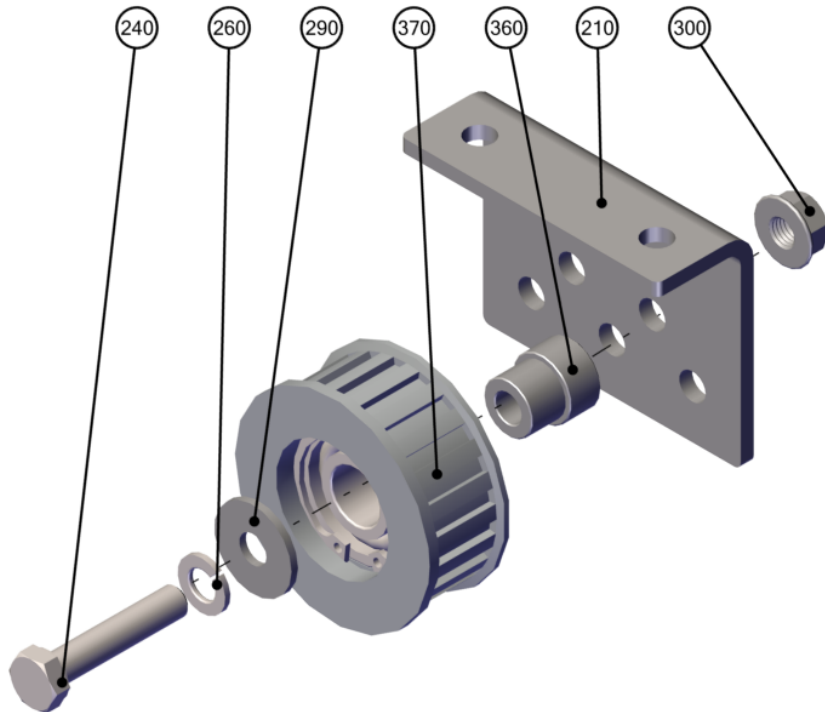
Spannwinkel für Umlenkeinheit **Tension bracket for deflection unit**

Vor Montage - Langloch muss selbst eingebracht werden!
Before Assembly - Elongated hole must be drilled in by yourself!

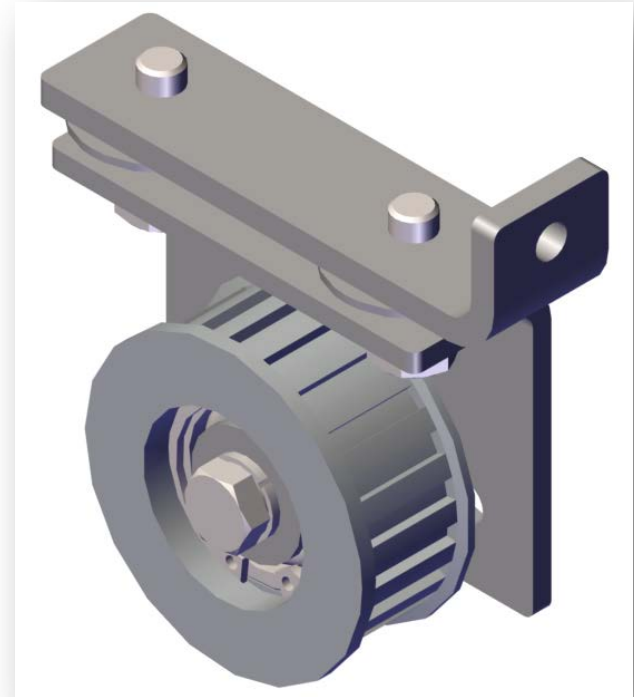
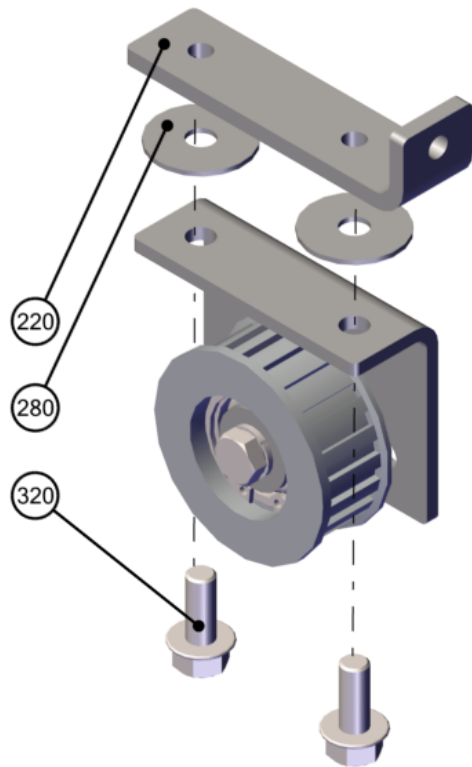




Umlenkeinheit montieren – mount deflection unit

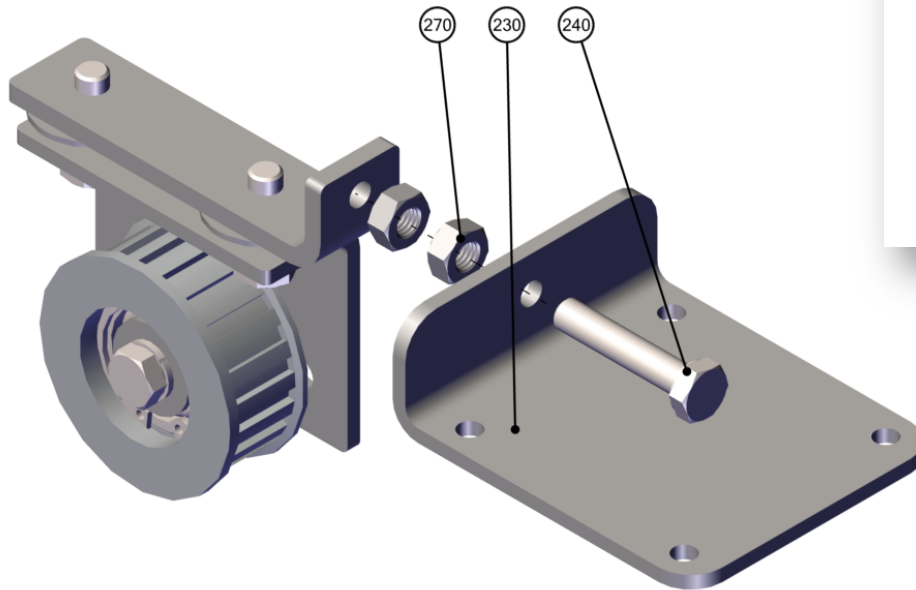
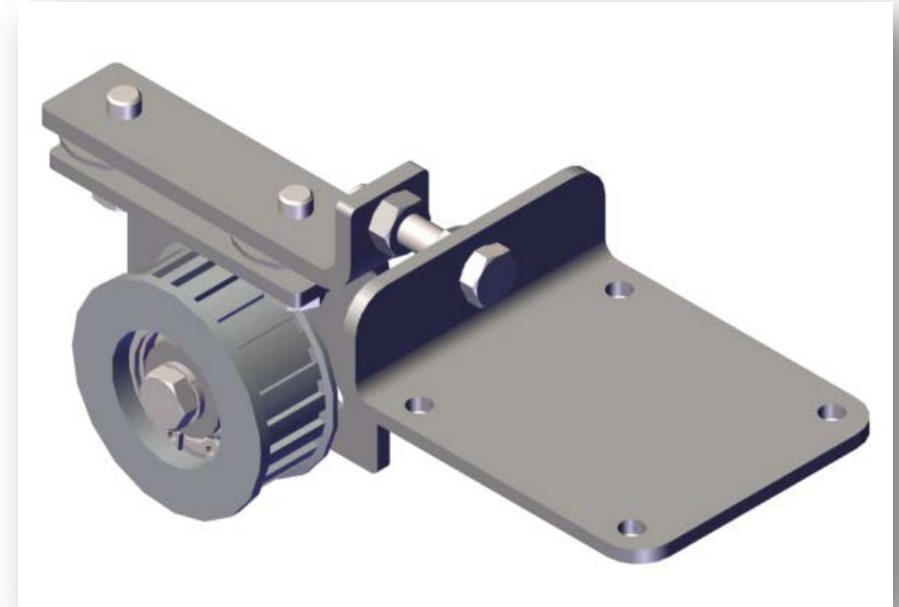


ID	Article No.	Description DE	Description EN	Quantity
210	01.20.60013	Halterung Umlenkrolle für Spannstation	TSG bracket for counter roller	1
240	01.36.00115	Sechskantschraube ISO 4017 - M8x40 - 8.8, vz	Hexagonal bolt, thread up to head DIN933 vz 8.8 - M8x40	1
260	01.36.00169	Federring DIN127-A8-FSt	Lock washer DIN127 vz - M8	1
290	01.36.00450	Kotflügelscheibe 8,4x24x2	Wing repair washer DIN522 vz - 8,4x20x1,25	1
300	01.36.00501	Sperrzahnmutter M8, DIN 6923, vz	Hexagon Flange Nut DIN 6923 - M8 - C	1
360		Reduzierhülse für Spannrolle	Adapter sleeve for tension roller	1
370		Spannrolle	Tension roller	1



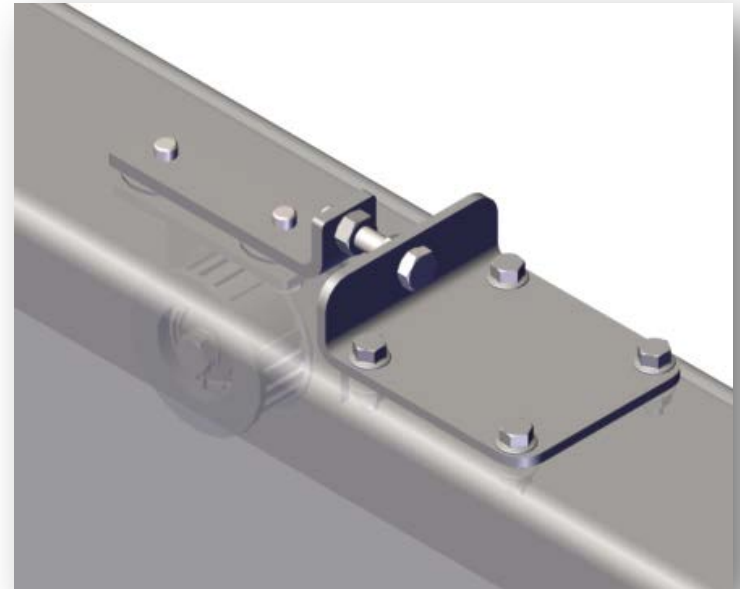
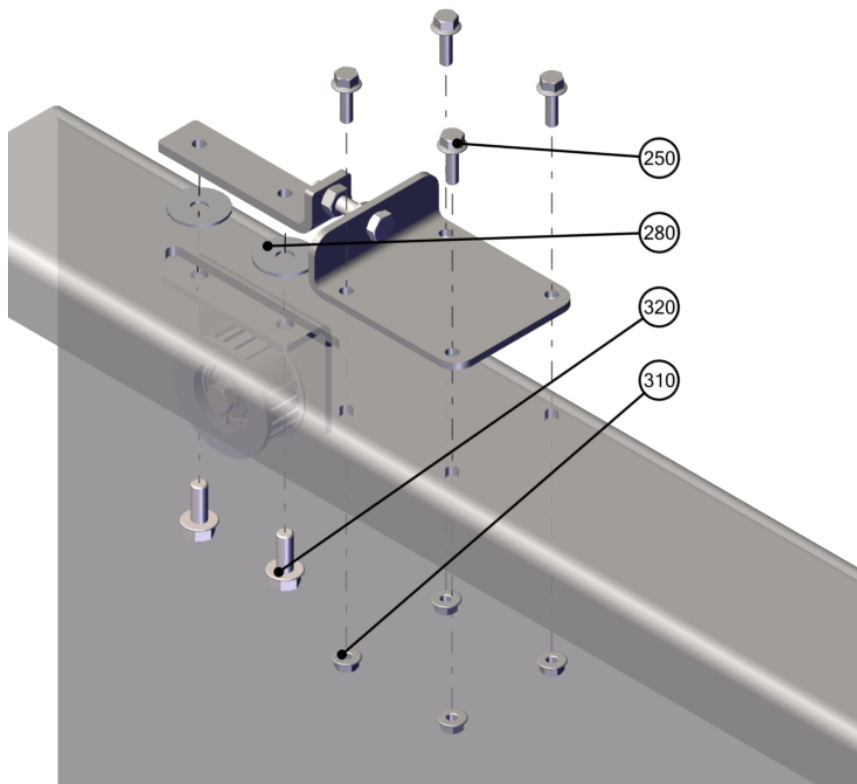
ID	Article No.	Description DE	Description EN	Quantity
220	01.20.60110	Spannlasche für Spannstation	Clamping tab for clamping station, normal execution	1
280	01.36.00453	Kotflügelscheibe 8,4x30x1,5 DIN522, vz	Wing repair washer DIN522 vz - 8,4x30x1,5	2
320	01.36.00720	Sperrzahnschraube DIN 6921 M8x20, 8.8, vz	Hexagon head serrated screw WN0274 A2C 8.8 - M8x20	2

Montage Spannwinkel – mounting tensioner



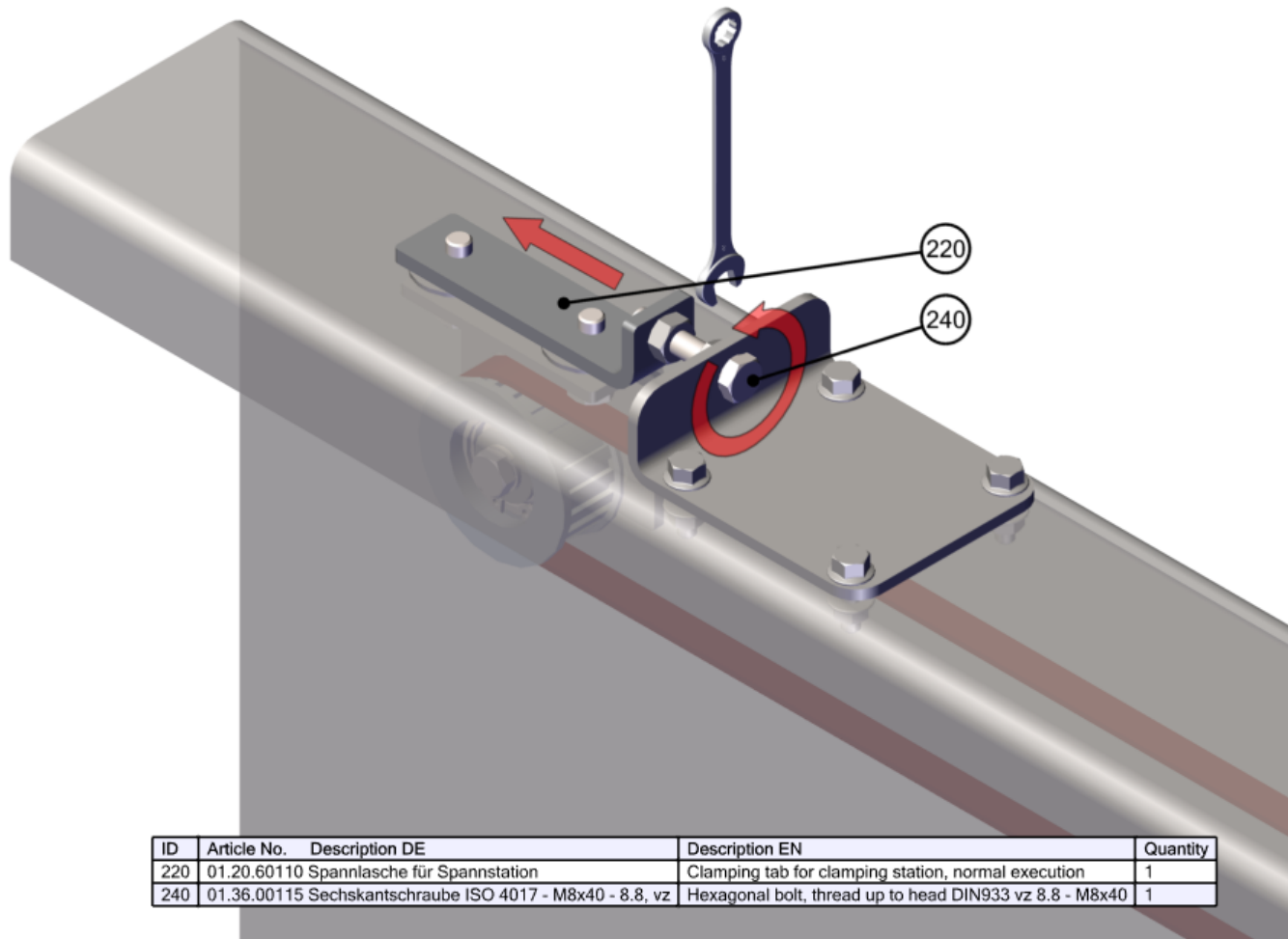
ID	Article No.	Description DE	Description EN	Quantity
230	01.20.96100	TSG Motorspanner in NT4 (Zzu1)	TSG motor tensioner in NT4	1
240	01.36.00115	Sechskantschraube ISO 4017 - M8x40 - 8.8. vz	Hexagonal bolt, thread up to head DIN933 vz 8.8 - M8x40	1
270	01.36.00430	Sechskantmutter ISO 4032 - M8 - 8.vz	Hexagon nut DIN934-8 vz 8.8 - M8	2

Montage auf Kämpfer – mounting to door frame

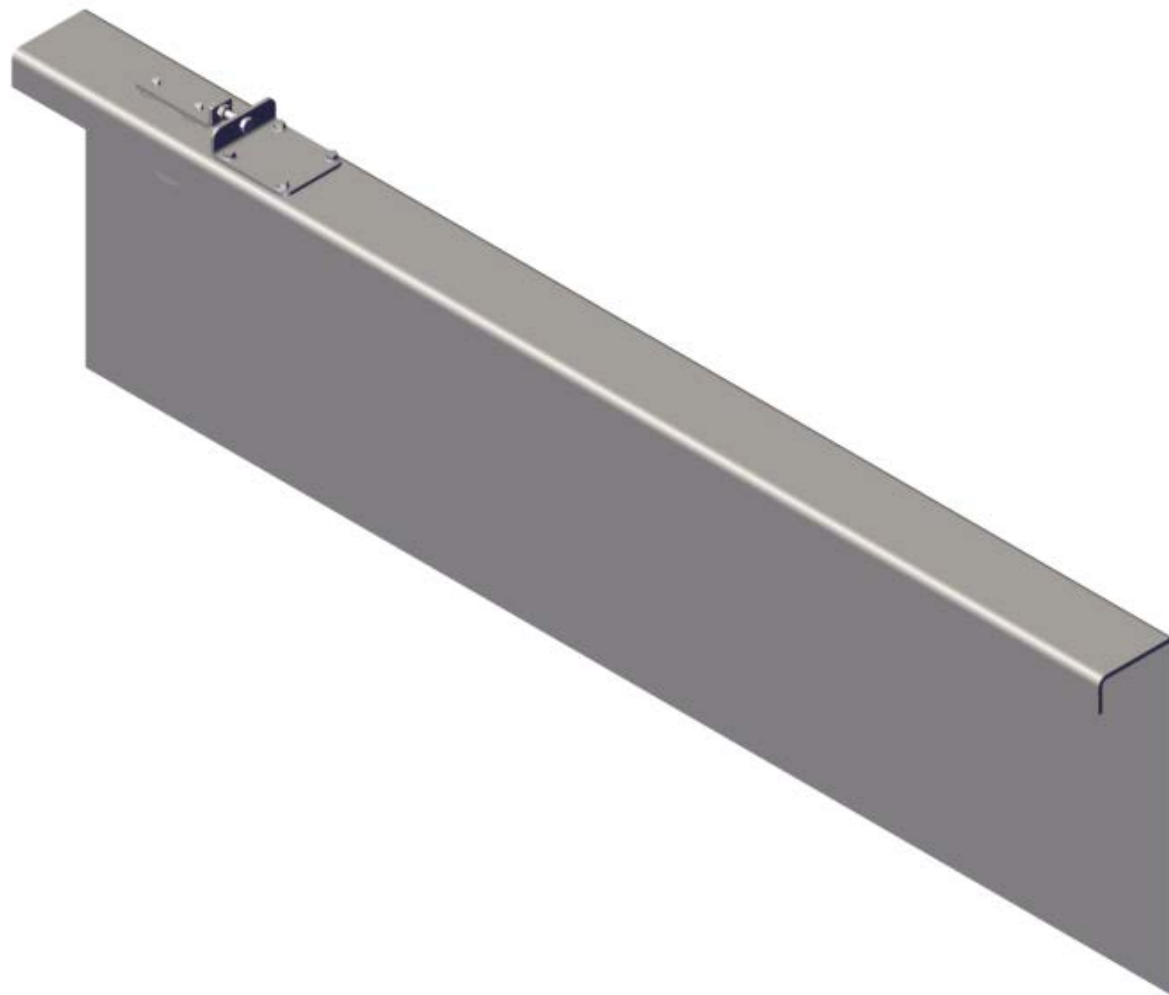


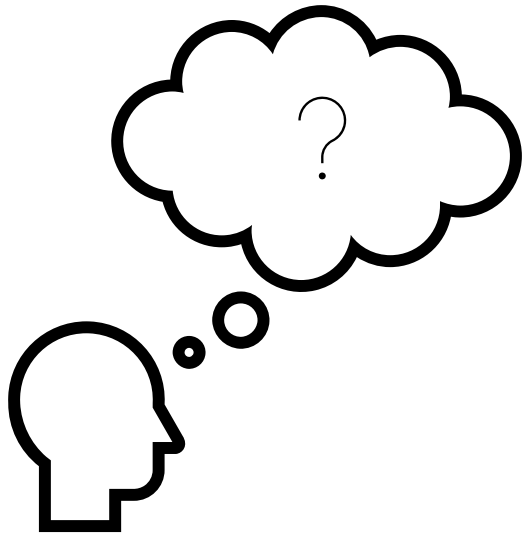
ID	Article No.	Description DE	Description EN	Quantity
250	01.36.00137	Sperrzahnschraube vz 8.8 6x20	Hexagon head serrated screw WN0274 A2C 8.8 - M6x20	4
280	01.36.00453	Kotflügelscheibe 8.4x30x1.5 DIN522, vz	Wing repair washer DIN522 vz - 8.4x30x1.5	2
310	01.36.00502	Sperrzahnmutter M6	Ribbed nuts, similar to DIN6923 vz - M6	4
320	01.36.00720	Sperrzahnschraube DIN 6921 M8x20, 8.8, vz	Hexagon head serrated screw WN0274 A2C 8.8 - M8x20	2

 Zahnriemen spannen – tension toothed belt



ID	Article No.	Description DE	Description EN	Quantity
220	01.20.60110	Spannlasche für Spannstation	Clamping tab for clamping station, normal execution	1
240	01.36.00115	Sechskantschraube ISO 4017 - M8x40 - 8.8, vz	Hexagonal bolt, thread up to head DIN933 vz 8.8 - M8x40	1





Langer & Laumann Ingenieurbüro GmbH
Wilmsberger Weg 8
48565 Steinfurt
Germany

Tel.: +49 (2552) 92791 0

support@lul-ing.de
www.lul-ing.de