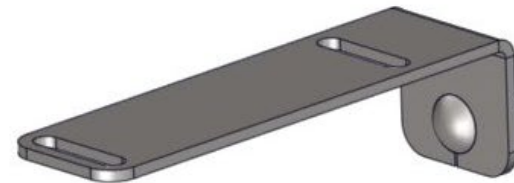
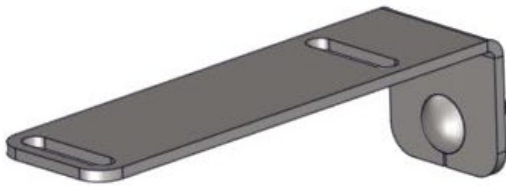


Montageanleitung **Assembly Instruction**








Halterung TSG Gehäuse extern **Holder TSG housing external**

Halteung TSG Gehäuse extern – Holder TSG housing external

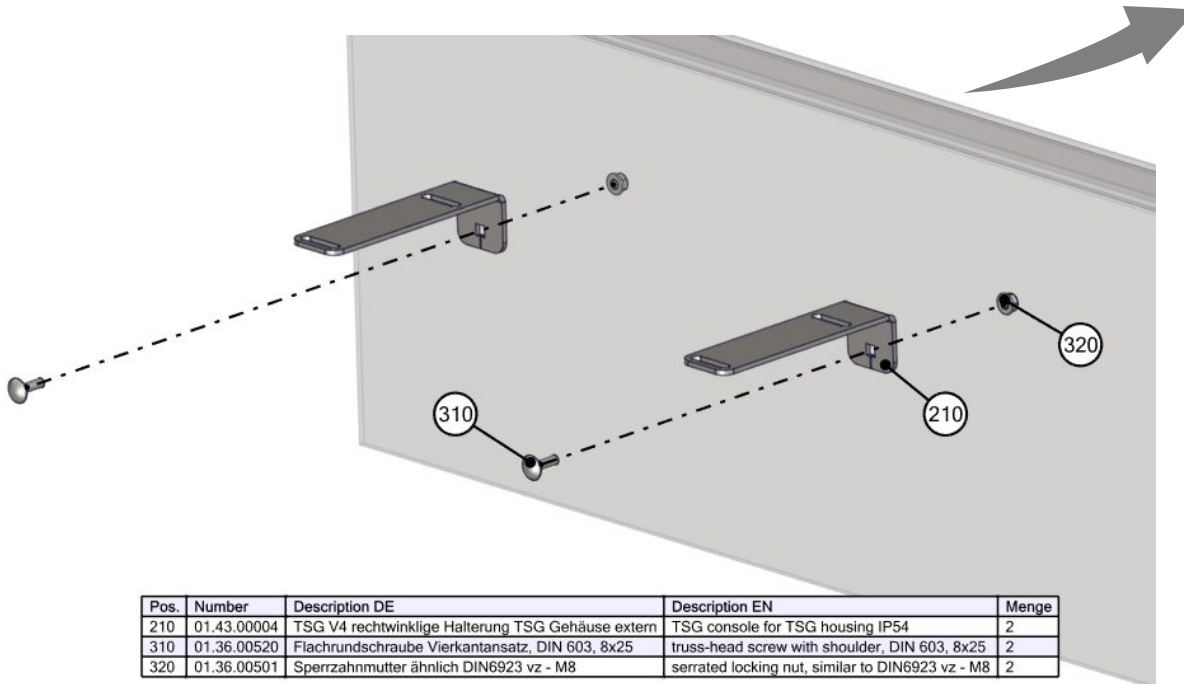
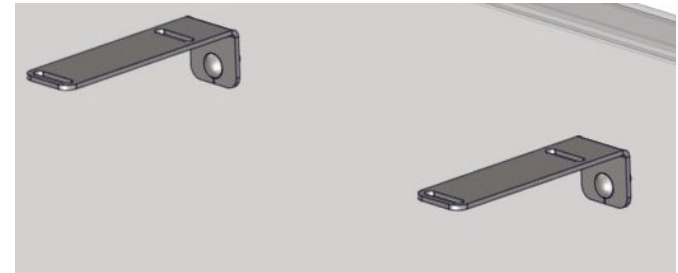
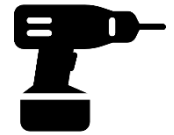


Lieferumfang – Scope of supply



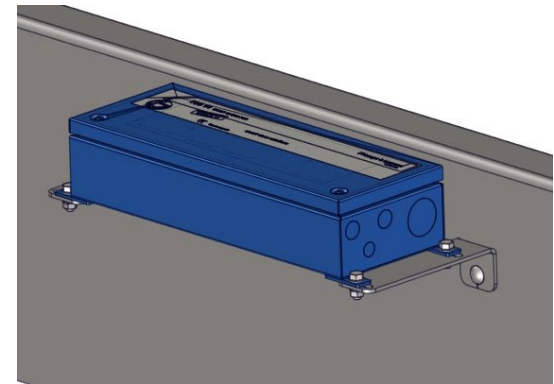
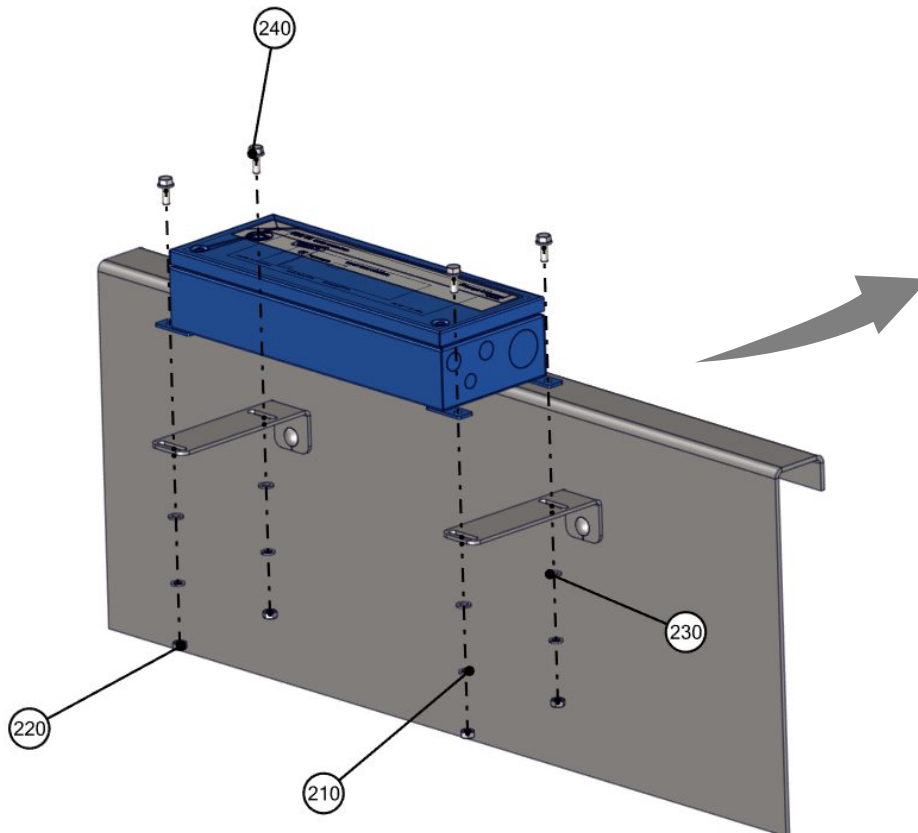
picture	Number	description DE	description EN	quantity
	1.43.00004	TSG V4 rechteckige Halterung TSG Gehäuse extern	TSG V4 right-angle bracket TSG housing external	2
	1.36.00720	Sperrzahnschraube WN0274 A2C 8.8 - M8x20	hexagon head serrated screw WN0274 A2C 8.8 - M8x20	4
	1.36.00440	Scheibe DIN125A vz - 8,4	washer DIN125A vz - 8,4	4
	1.36.00169	Federring DIN127 vz - M8	lock washer DIN127 vz - M8	4
	1.36.00430	Sechskantmutter DIN934-8 vz 8.8 - M8	hexagon nut DIN934-8 vz 8.8 - M8	4
	1.36.00520	Flachrundschraube Vierkantansatz mit Mutter DIN603 vz 4.8 – M8x25	round head screw w. square neck and nut DIN603 vz4.8 - M8x25	2
	1.36.00501	Sperrzahnmutter, ähnlich DIN6923 vz - M8	serrated locking nut, similar to DIN6923 vz - M8	2

Montage der Halter – Assembly of the holder

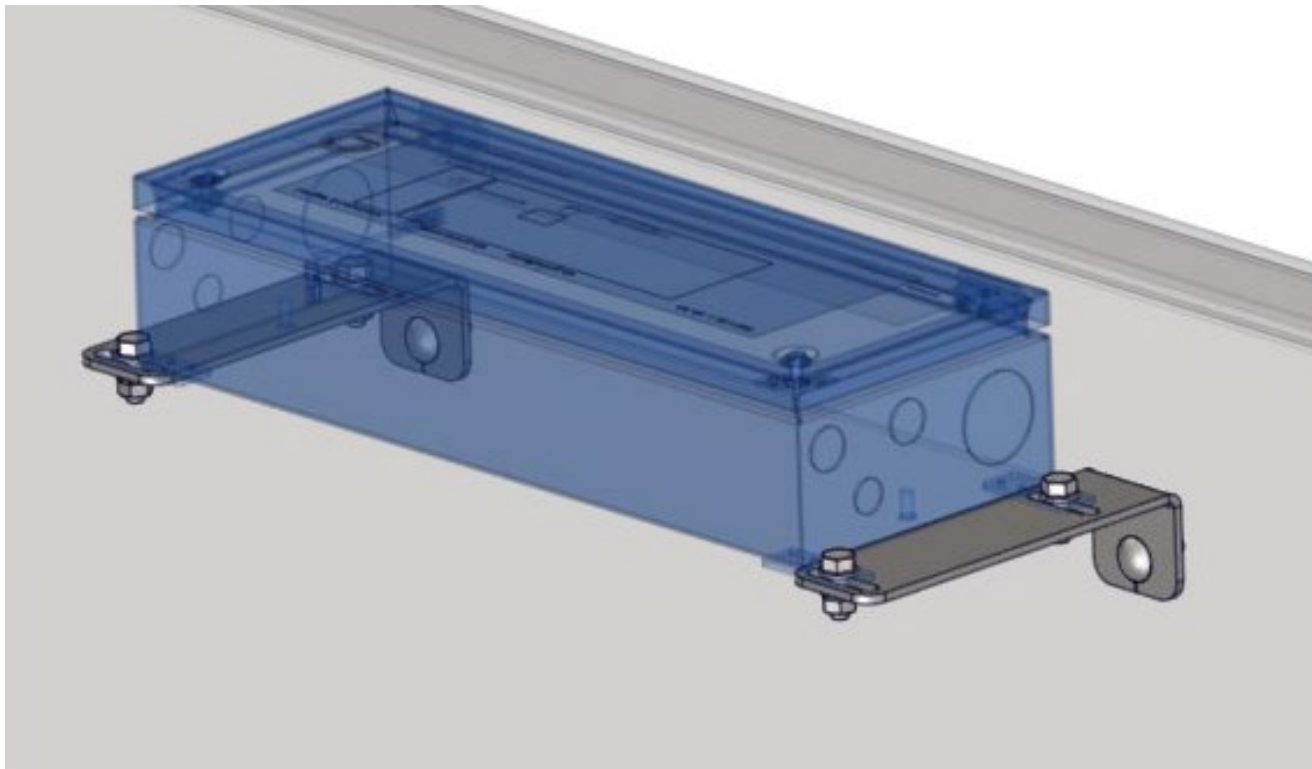


Pos.	Number	Description DE	Description EN	Menge
210	01.43.00004	TSG V4 rechtwinklige Halterung TSG Gehäuse extern	TSG console for TSG housing IP54	2
310	01.36.00520	Flachrundschrabe Vierkantansatz, DIN 603, 8x25	truss-head screw with shoulder, DIN 603, 8x25	2
320	01.36.00501	Sperrzahnmutter ähnlich DIN6923 vz - M8	serrated locking nut, similar to DIN6923 vz - M8	2

Montage der Elektronik – Assembly of the electronic



Pos.	Number	Description DE	Description EN	Menge
210	01.36.00169	Federring DIN127 vz - M8	lock washer DIN127 vz - M8	4
220	01.36.00430	Sechskantmutter ISO 4032 - M8 - 8,vz	hexagon nut DIN934-8 vz 8.8 - M8	4
230	01.36.00440	Scheibe ISO 7091-M8 (Ø9)-100HV (DIN126),vz	washer DIN125A vz - 8.4	4
240	01.36.00720	Sperrzahnschraube WN0274 A2C 8.8 - M8x20	hexagon head serrated screw WN0274 A2C 8.8 - M8x20	4





Langer & Laumann Ingenieurbüro GmbH
Wilmsberger Weg 8
48565 Steinfurt
Germany

Tel.: +49 (2552) 92791 0

support@lul-ing.de
www.lul-ing.de